

**DESCRIPTION:**

TRAVEL : -5° TO 95° adjustable  
 RATIO : 468 : 1  
 TURNS TO CLOSE : 117  
 WEIGHT : 94 kg. (208 lb.) Excl. handwheel

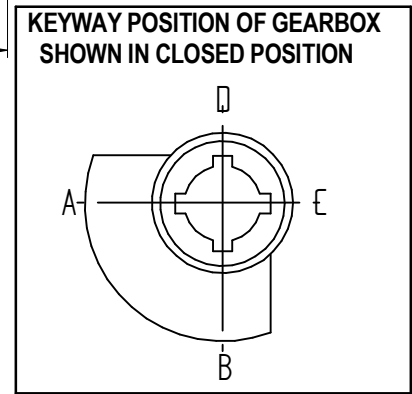
**MOUNTING HOLES :**

BOLT CIRCLE : min. Ø 165 [6.50]  
 (OFF CENTER) : max. Ø 356 [14.02]  
 acc. ISO 5211 : F16 - F25 - F30 - F35  
 Min. bore Quadrant : Ø 30 [1.18]  
 MAX. bore Quadrant :  $\nabla$  75 [2.95] or Ø 100 [3.94]

**TORQUE :**

max. OUTPUT : 17000 Nm (150620 lbf.in.)  
 max. INPUT : 121 Nm (1075 lbf.in.)  
 MA : 140.0 ± 15%

DIMENSIONS IN MM [INCH]



**ROTORK GEARS**

**GEARBOX AB6800N-PR6 LB + PADLOCK**

DRAWN:- Robbin Goosen CHECKED:- Henk Hoff

DWG:- AB6800N-PR6 LB + Padlock

REV: 01