

DESCRIPTION:

TRAVEL : -5° TO 95° adjustable
 RATIO : 468 : 1
 TURNS TO CLOSE : 117
 WEIGHT : 94 kg. (208 lb.) Excl. handwheel

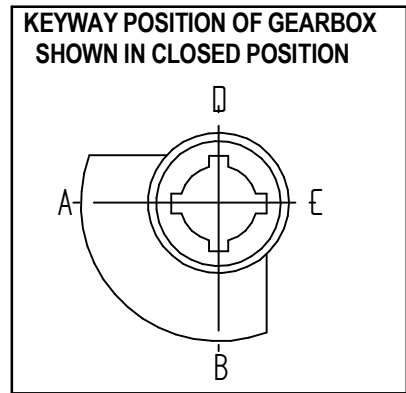
MOUNTING HOLES :

BOLT CIRCLE : min. Ø 165 [6.50]
 (OFF CENTER) : max. Ø 356 [14.02]
 acc. ISO 5211 : F16 - F25 - F30 - F35
 Min. bore Quadrant : Ø 30 [1.18]
 MAX. bore Quadrant : ∇ 75 [2.95] or Ø 100 [3.94]

TORQUE :

max. OUTPUT : 17000 Nm (150620 lbf.in.)
 max. INPUT : 121 Nm (1075 lbf.in.)
 MA : 140.0 ± 15%

DIMENSIONS IN MM [INCH]



ROTORK GEARS

GEARBOX AB6800G-PR6 LB BU

DRAWN:- Robbin Goosen CHECKED:- Henk Hoff

DWG:- AB6800G-PR6 LB BU

REV: 01