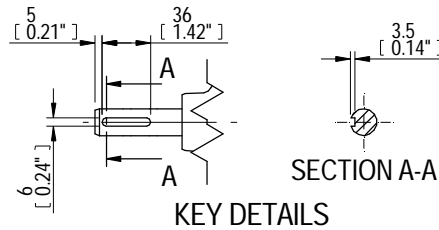
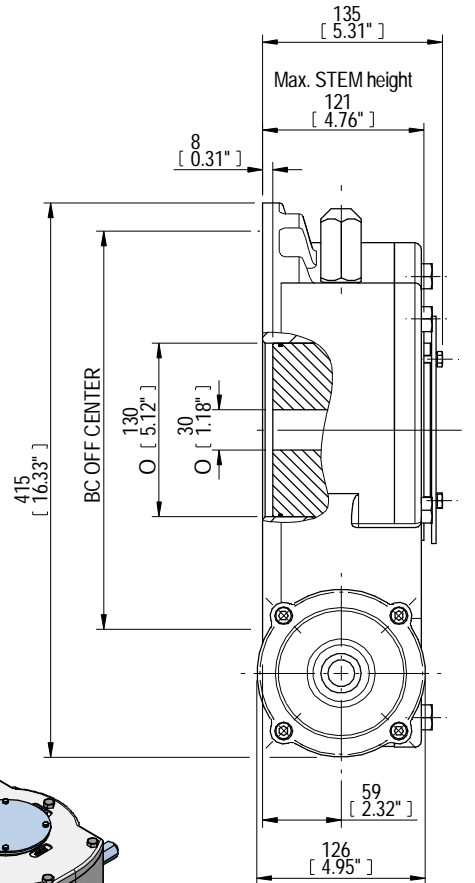
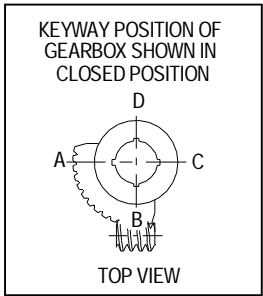


DESCRIPTION				MOUNTING HOLES - BOLT CIRCLE (OFF CENTRES)			BORE: STEM ACCEPTANCE WITH KEYWAY IN ACCORDING WITH STANDARD			TORQUE			
RATIO	URNS TO CLOSE	TRAVEL (1/4 TURN)	WEIGHT	NR of HOLES	MIN ENVELOP PCD - ØHOLE	MAX ENVELOP PCD + ØHOLE	ACCORDING TO ISO 5211 / MSS SP-101	MIN	MAX	STANDARD	OUTPUT	INPUT	MA
468:1	117.0	-5° TO 95°	64.2 kg	4	Ø134 mm	Ø335 mm	F16	Ø30 mm	Ø100 mm	DIN 6885-1	17000 Nm	121 Nm	140 ± 15%
				8	Ø134 mm	Ø335 mm	F25 - F30						
			142 lbs	4	Ø5.28 inch	Ø13.19 inch	FA16	Ø1.18 inch	Ø3.94 inch	ANSI B17.1	150620 lbf.in	1075 lbf.in	
				8	Ø5.28 inch	Ø13.19 inch	FA25 - FA30						

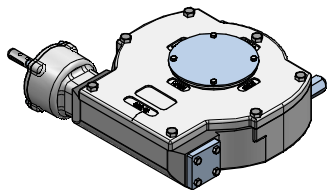
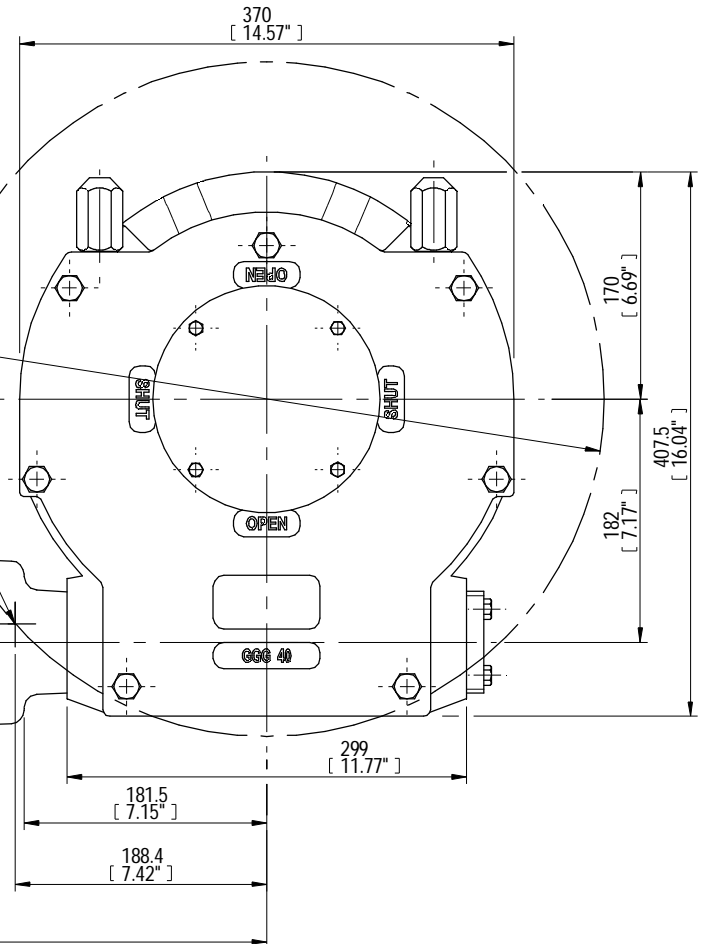


Ø 505 [19.88"]  
MAX. VALVE DIAMETER BEFORE CLASH

POINT OF CONTACT

Ø 20 [0.79"]  
168.2 [6.62"]  
43.5 [1.71"]  
24 [0.94"]

Ø 6 [0.24"] (2x)  
65 [2.56"]  
181.5 [7.15"]  
188.4 [7.42"]  
354 [13.94"]  
299 [11.77"]



ISOMETRIC VIEW  
1:10

AS PART OF CONTINUOUS PRODUCT DEVELOPMENT, ALL DETAILS SUBJECT TO CHANGE WITHOUT PRIOR NOTICE. FOR UP TO DATE DETAILS PLEASE VISIT [www.rotork.com](http://www.rotork.com)

 LOSSER - THE NETHERLANDS <a href="http://www.rotork.com">www.rotork.com</a>	This drawing is confidential and is the property of Rotork Gears and must not be reproduced either wholly or partly. All rights in respect of patents, designs and copyrights are reserved. © 2013		Document type <b>DETAIL DRAWING</b>	Title <b>AB6800G WITH A PR6 BU RH PLANETARY GEARBOX-PR6</b>
	Created <b>NTS</b> Checked <b>PRABU D</b> Approved	11/11/2013 15/11/2013	Dimensions in mm Scale 1:4	Drawing Number <b>AB6800G-PR6 BU RH</b>
Sheet 1 of 1 Size A3				

Rev	CN	Revised	Approved	Date	Change Description
A				15/11/2013	FIRST ISSUE