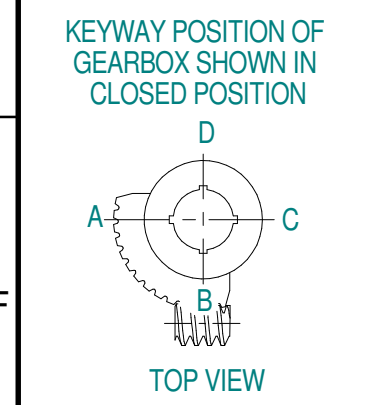
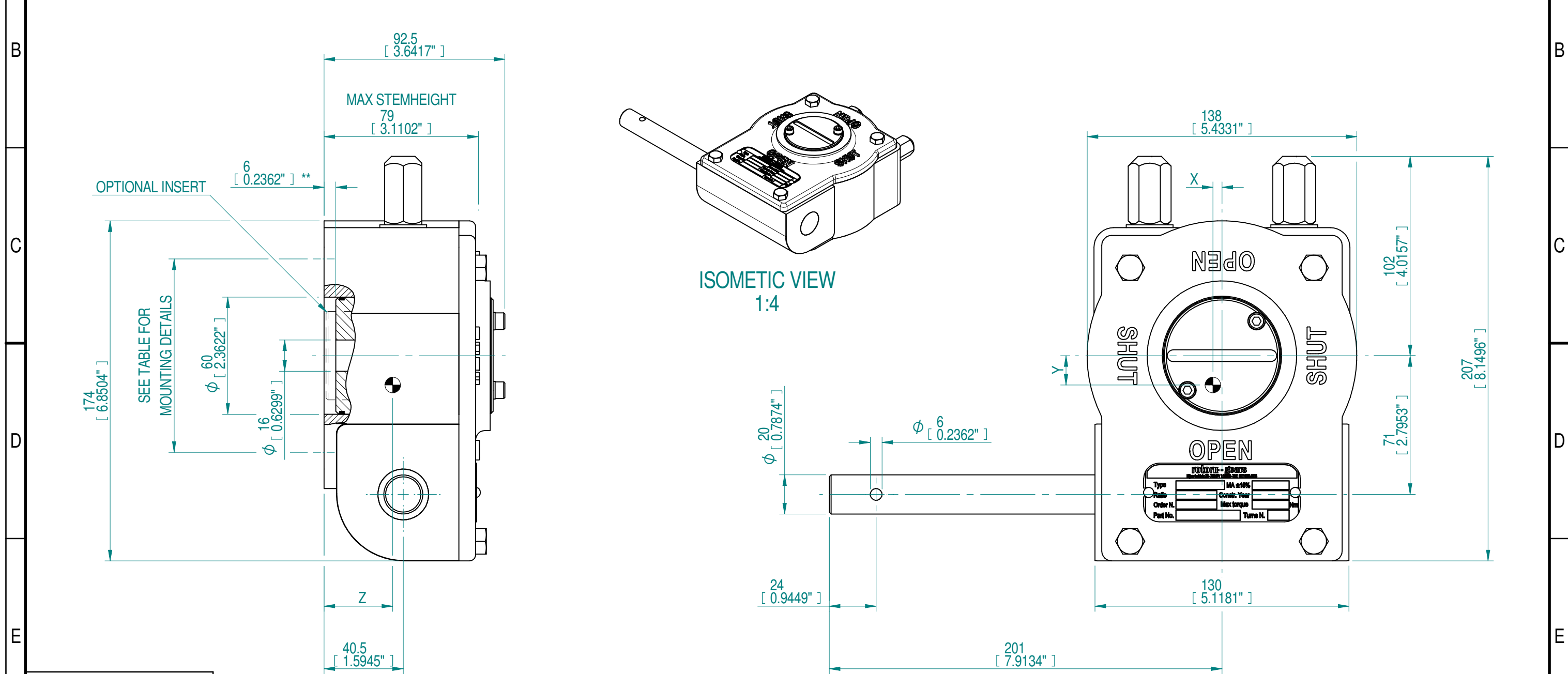


INPUT FLANGE DETAILS				MOUNTING HOLES - BOLT CIRCLE (OFF CENTRES)				STEM ACCEPTANCE IN ACCORDANCE TO STANDARD					
INPUT FLANGE	FLANGE O/DIA.	HOLE DETAILS (OFF CENTRES)	KEY DETAILS	ISO 5211 / MSS SP-101 MOUNTING OPTION	HOLE DETAILS (OFF CENTRES)	MAX OUTSIDE DIA. INCLUDING DRILLED HOLES	MIN INSIDE DIA. INCLUDING DRILLED HOLES	BORE MACHINED IN	STANDARD	MIN BORE	RECT. KEY MAX BORE	RECT. KEY SIZE	SQ BORE MAX
-	-	-	-	F07 (FA07)	4x M8* x 11 DEEP ON A Ø70P.C. (4x 5/16"UNC x 0.43" DEEP ON A 2.75"P.C.)	Ø156 (Ø6.14")	Ø62 (Ø2.44")	QUADRANT	DIN 6885	Ø16	Ø45	14 x 9	□ 38
				F10 (FA10)	4x M10* x 13 DEEP ON A Ø102P.C. (4x 3/8"UNC x 0.51" DEEP ON A Ø4"P.C.)				BS46	Ø0.63"	Ø1.8218"	1/2 x 5/16	□ 1.5"
				F12 (FA12)	4x M12* x 16 DEEP ON A Ø125P.C. (4x 1/2"UNC x 0.63" DEEP ON A 4.95"P.C.)				DIN 6885	-	Ø30	8 x 7	□ 27
				F14 (FA14)	4x M16* x 18 DEEP ON A Ø140P.C. (4x 5/8"UNC x 0.71" DEEP ON A 5.5"P.C.)				BS46	-	Ø1.2175"	5/16 x 1/4	□ 1.06"



NOTES:  
 1. \* THREAD DEPTH DOES NOT MATCH ISO STANDARD  
 2. \*\* DIMENSION WITH INSERT IS 1 [0.04"]  
 3. CENTRE OF GRAVITY POSITION IS INDICATIVE FOR STANDARD BUILD WHEN IN POSITION SHOWN

RATIO	TURNS TO CLOSE	M.A.	WEIGHT EXCL. HW	MAX OUTPUT	MAX INPUT	X	Y	Z
34 : 1	8.5	12 ± 15%	10.5 kg 22.5 lbs.	1000 Nm 8851 lbf.in.	83 Nm 738 lbf.in.	3.4 0.13"	15 0.59"	35.1 1.38"
DESCRIPTION			TORQUE			CENTRE OF GRAVITY		

AS PART OF CONTINUOUS PRODUCT DEVELOPMENT, ALL DETAILS SUBJECT TO CHANGE WITHOUT PRIOR NOTICE. FOR UP TO DATE DETAILS PLEASE VISIT [www.rotork.com](http://www.rotork.com)

**rotork** Gears  
 LOSSER - THE NETHERLANDS  
[www.rotork.com](http://www.rotork.com)

This drawing is confidential and is the property of Rotork Gears and must not be reproduced either wholly or partly. All rights in respect of patents, designs and copyrights are reserved. © 2018

Document Type **GAD**

Dimensions in mm  
 Scale 1:2

Created **robbin.goosen** 4-7-2018  
 Checked **Henk Hoff** 4-7-2018  
 Approved

Title **GEARBOX AB550SS RIGHT HANDED WITHOUT BORE AND PC**

Drawing Number **PUB00073** Iss. **01**

Sheet **1** of **1** Size **A3**