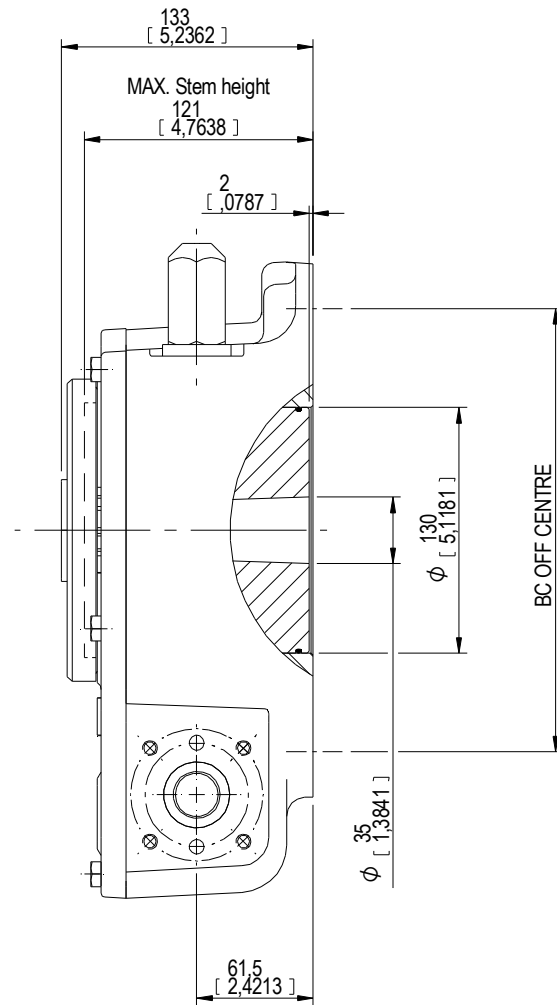
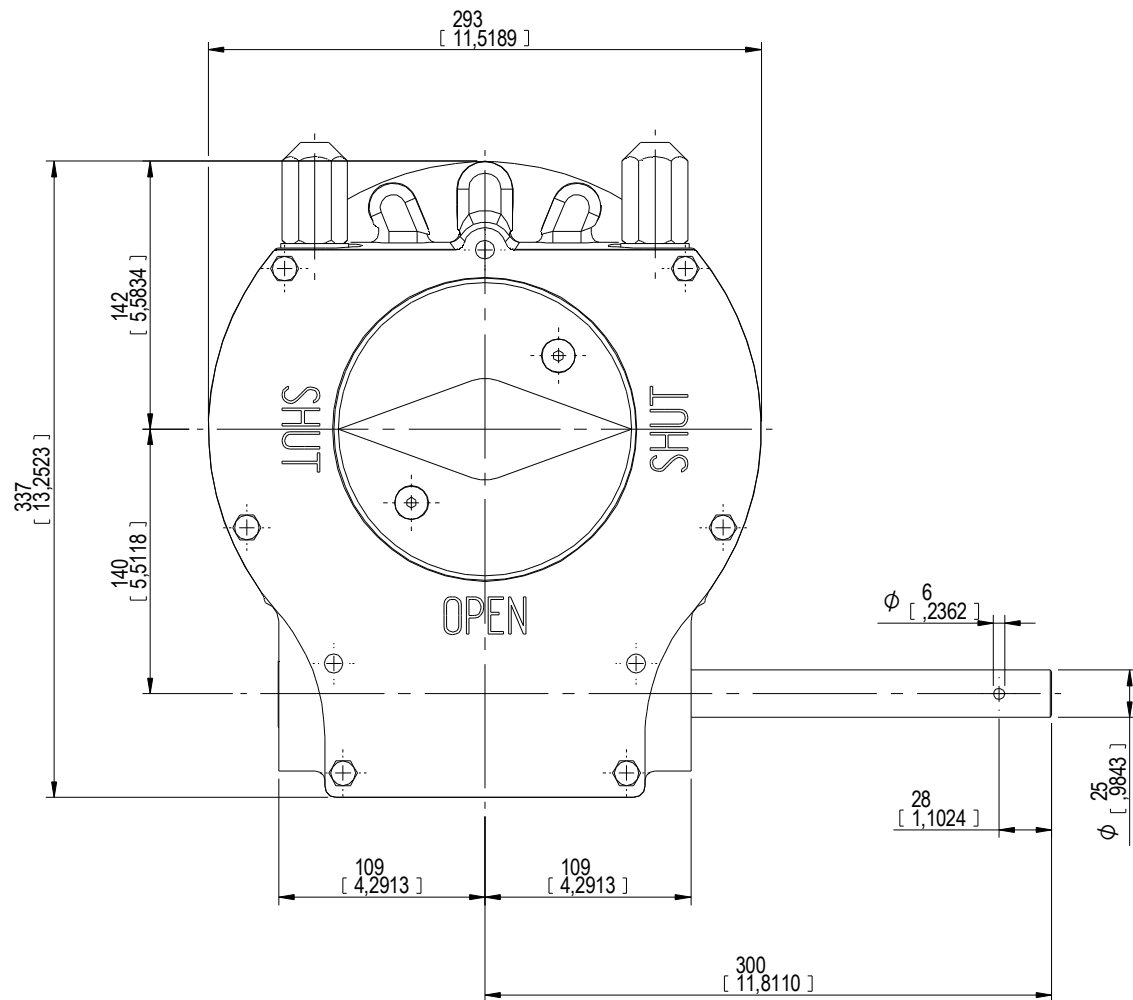


DESCRIPTION		MOUNTING HOLES - BOLT CIRCLE (OFF CENTRES)				BORE: STEM ACCEPTANCE WITH KEYWAY IN ACCORDING WITH STANDARD			TORQUE					
RATIO	URNS TO CLOSE	TRAVEL (1/4 TURN)	WEIGHT	NR of HOLES	MIN ENVELOPE PCD - ØHOLE	MAX ENVELOPE PCD + ØHOLE	ACCORDING TO ISO 5211 / MSS SP-101	MIN	MAX	STANDARD	OUTPUT	INPUT	MA	
58:1	14.5	-5° TO 95°	44 kg	4	Ø165 mm	Ø254 mm	F16	Ø35 mm	Ø100 mm	□75 mm	ISO 773 A	7000 Nm	305 Nm	23 ± 15%
				8	Ø165 mm	Ø254 mm	F25							
			96.8 lb	4	Ø6.50 inch	Ø10.0 inch	FA16	Ø1.38 inch	Ø3.94 inch	□2.95 inch	ANSI B17.1	61.950 lbf.in	2699 lbf.in	
				8	Ø6.50 inch	Ø10.0 inch	FA25							

AS PART OF CONTINUOUS PRODUCT DEVELOPMENT, ALL DETAILS SUBJECT TO CHANGE WITHOUT PRIOR NOTICE. FOR UP TO DATE DETAILS PLEASE VISIT www.rotork.com



Document type		DETAIL DRAWINGS		Title	
Scale		1:2		GEARBOX AB 3000 W	
Created	Robbin Goosen	9-4-2013	Drawing Number		
Checked	Henk Hoff	9-4-2013	AB-00215-OUT-1		
Approved	Henk Hoff	9-4-2013	Sheet 1 of 1	Size	AZ
			Rev	00	