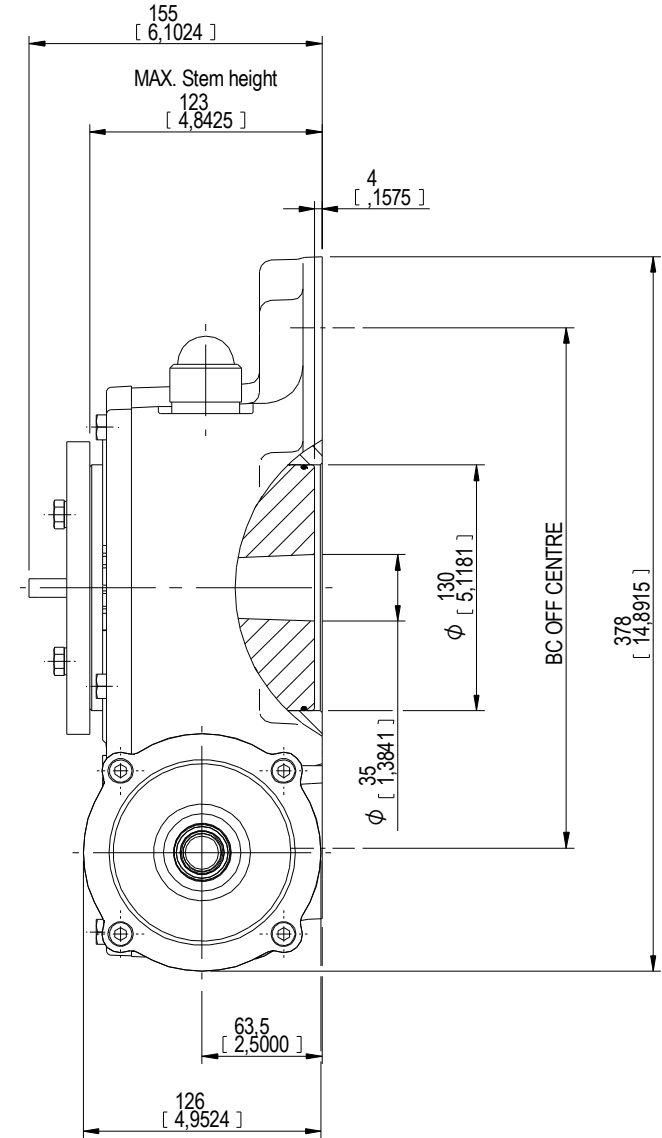
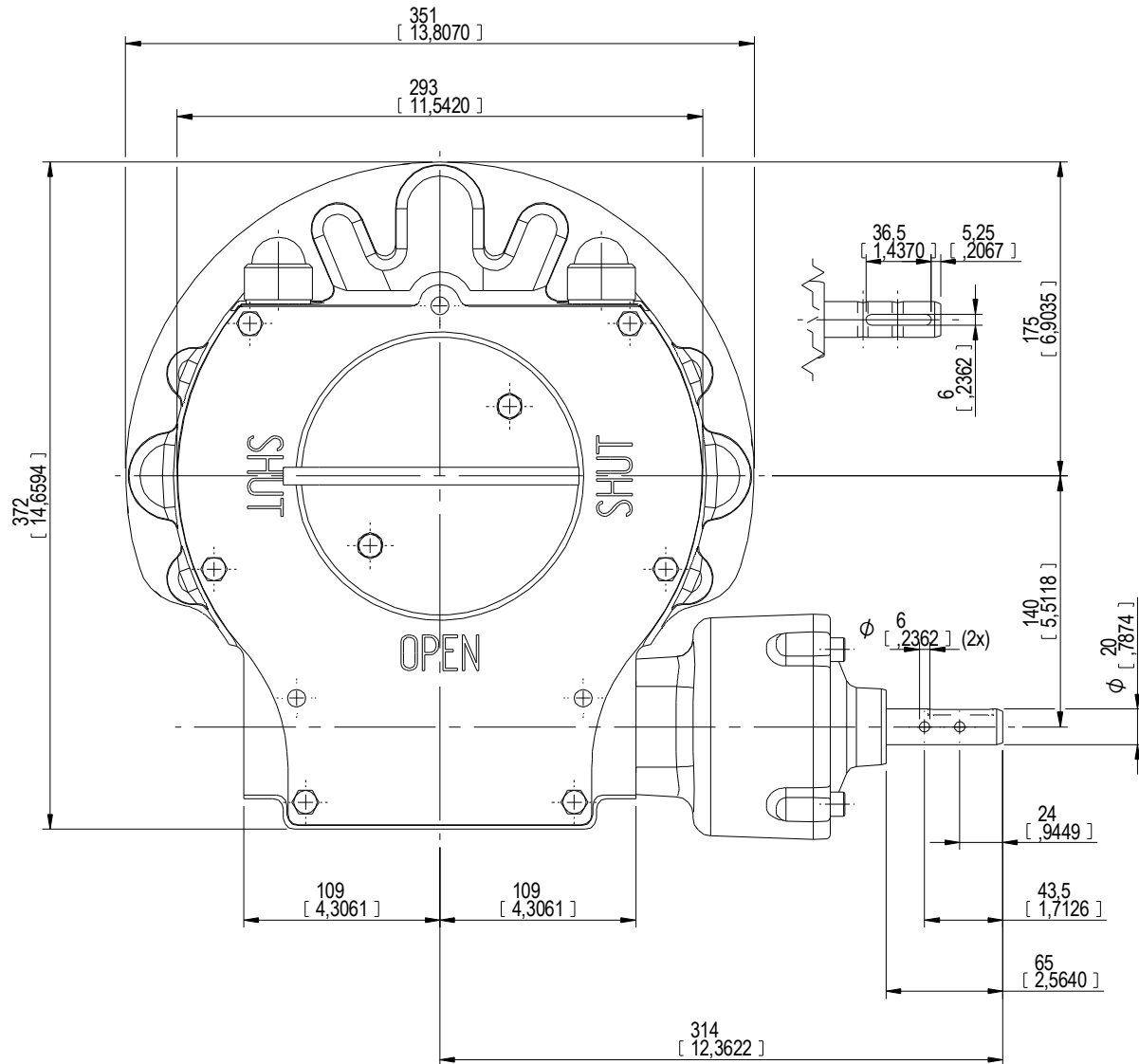


DESCRIPTION		MOUNTING HOLES - BOLT CIRCLE (OFF CENTRES)				BORE; STEM ACCEPTANCE WITH KEYWAY IN ACCORDING WITH STANDARD			TORQUE					
RATIO	URNS TO CLOSE	TRAVEL (1/4 TURN)	WEIGHT	NR of HOLES	MIN ENVELOPE PCD - ØHOLE	MAX ENVELOPE PCD + ØHOLE	ACCORDING TO ISO 5211 / MSS SP-101	MIN	MAX	STANDARD	OUTPUT	INPUT	MA	
243:1	61	-5° TO 95°	55.7 kg	4	Ø275 mm	Ø318 mm	-	Ø35 mm	Ø100 mm	□75 mm	ISO 773 A	9000 Nm	111 Nm	81 ± 15%
				8	Ø275 mm	Ø318 mm	F30							
				4	Ø10.83 inch	Ø12.52 inch	-	Ø1.38 inch	Ø3.94 inch	□2.95 inch	ANSI B17.1	79.657 lbf.in	983 lbf.in	
				8	Ø10.83 inch	Ø12.52 inch	FA30							

AS PART OF CONTINUOUS PRODUCT DEVELOPMENT, ALL DETAILS SUBJECT TO CHANGE WITHOUT PRIOR NOTICE. FOR UP TO DATE DETAILS PLEASE VISIT [www.rotork.com](http://www.rotork.com)



 <small>LOSSER - THE NETHERLANDS</small>	This drawing is confidential and is the property of Rotork Gears and must not be reproduced either wholly or partly. All rights in respect of patents, designs and copyrights are reserved. © 2013			Document type <b>DETAIL DRAWINGS</b>	Title <b>GEARBOX AB 3000 N / PR4</b>
	Dimensions in mm [inch] Scale 1:2			Large Base <b>AB-00159-OUT-1</b>	Rev 00
Created Robbin Goosen 18-3-2013	Checked Niels Middel 18-3-2013	Approved Niels Middel 18-3-2013	Drawing Number <b>AB-00159-OUT-1</b>	Sheet 1 of 1	Size AZ