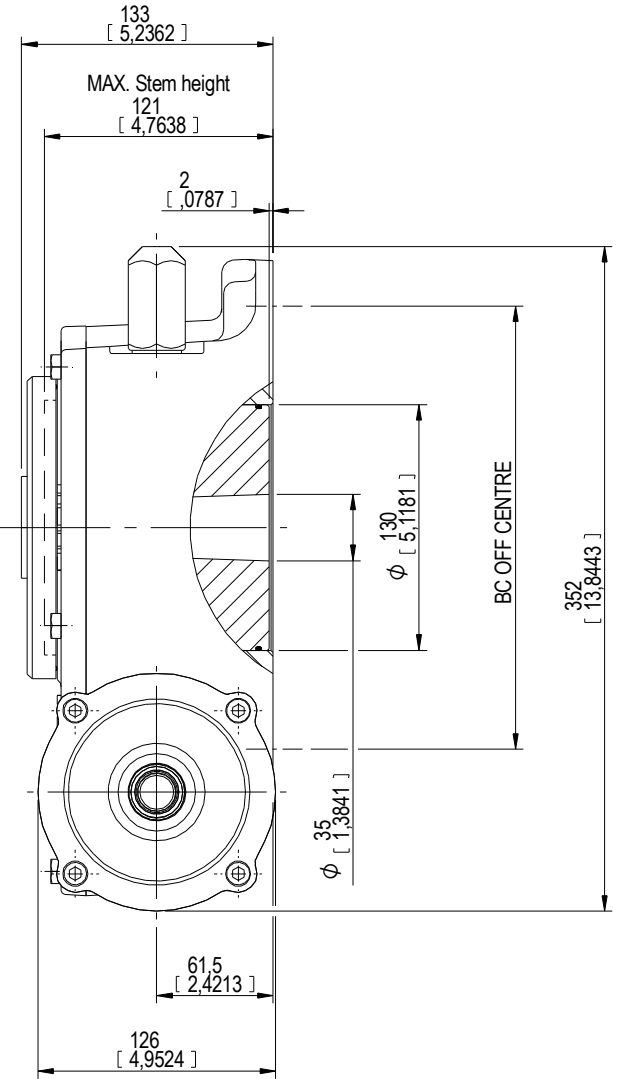
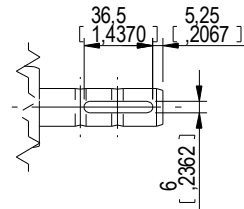
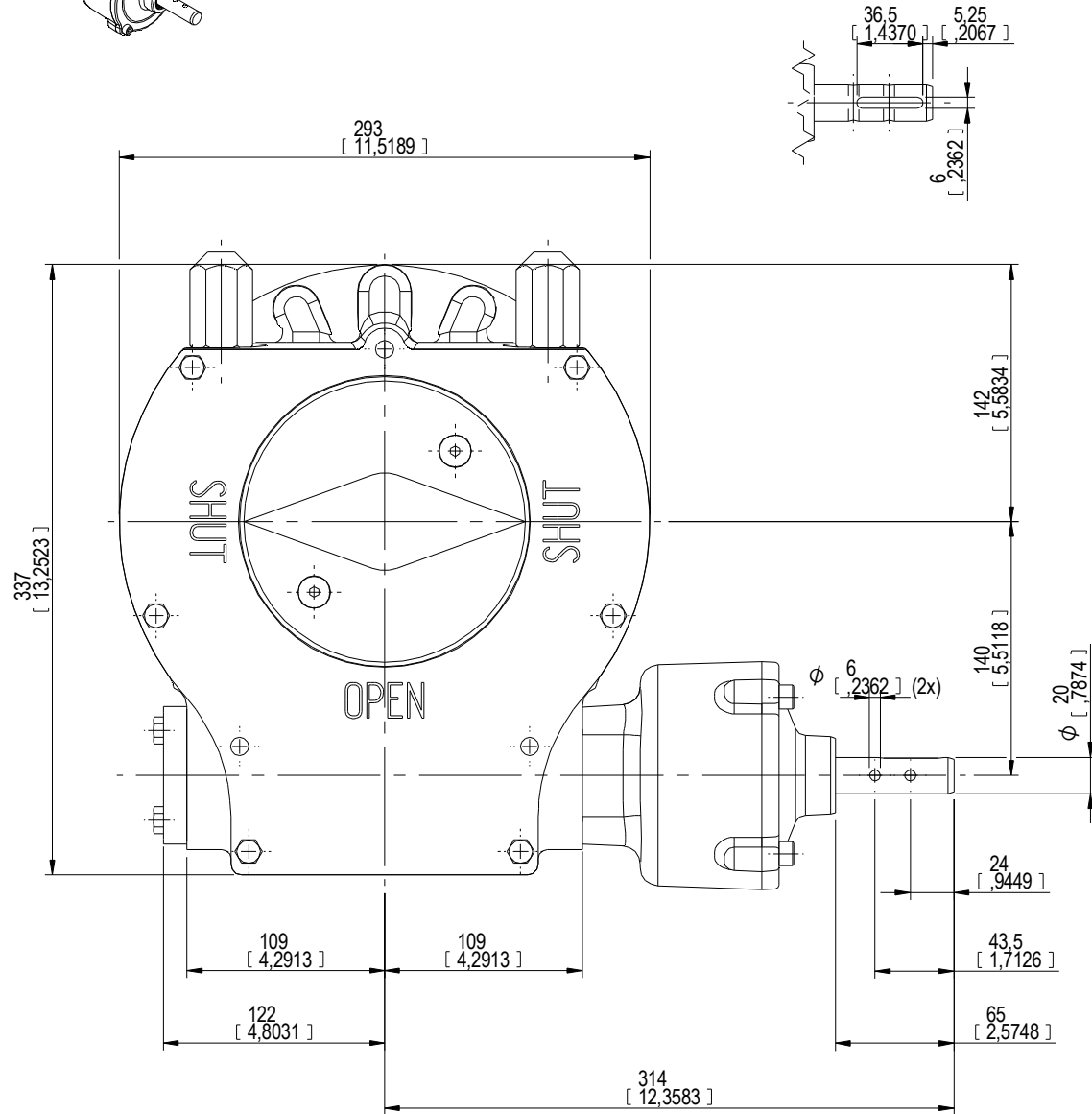


RATIO	TURNS TO CLOSE	TRAVEL (1/4 TURN)	WEIGHT	MOUNTING HOLES - BOLT CIRCLE (9 CENTRES)			BORE: STEM ACCEPTANCE WITH KEYWAY IN ACCORDING WITH STANDARD			TORQUE				
				NR of HOLES	MIN ENVELOPE PCD - ØHOLE	MAX ENVELOPE PCD + ØHOLE	ACCORDING TO ISO 5211 / MSS SP-101	MIN	MAX	STANDARD	OUTPUT	INPUT	MA	
348:1	87	-5° TO 95°	51 kg 112 lb	4	Ø165 mm	Ø254 mm	F16	Ø35 mm	Ø100 mm	□75 mm	ISO 773 A	11000 Nm	104 Nm	
				8	Ø165 mm	Ø254 mm	F25							
				4	Ø6.50 inch	Ø10.0 inch	FA16	Ø1.38 inch	Ø3.94 inch	□2.95 inch	ANSI B17.1	97.358 lbf.in	918 lbf.in	106 ± 15%
				8	Ø6.50 inch	Ø10.0 inch	FA25							

AS PART OF CONTINUOUS PRODUCT DEVELOPMENT, ALL DETAILS SUBJECT TO CHANGE WITHOUT PRIOR NOTICE. FOR UP TO DATE DETAILS PLEASE VISIT [www.rotork.com](http://www.rotork.com)



<p>rotork LOSSER - THE NETHERLANDS www.rotork.com</p>	<p>This drawing is confidential and is the property of Rotork Gears and must not be reproduced either wholly or partly. All rights in respect of patents, designs and copyrights are reserved. © 2013</p>			<p>Document type: <b>DETAIL DRAWINGS</b></p> <p>Scale: 1:2</p>		<p>Title: <b>GEARBOX AB 3000 G / PR6</b></p>	
	<p>Created: <b>Robbin Goosen</b> 19-3-2013</p>	<p>Dimensions in mm [inch]</p>			<p>Sheet 1 of 1</p>		
	<p>Checked: <b>Niels Middel</b> 19-3-2013</p>	<p>Approved: <b>Niels Middel</b> 19-3-2013</p>			<p>Drawing Number: <b>AB-00167-OUT-1</b></p> <p>Rev: <b>00</b></p> <p>Size: AZ</p>		