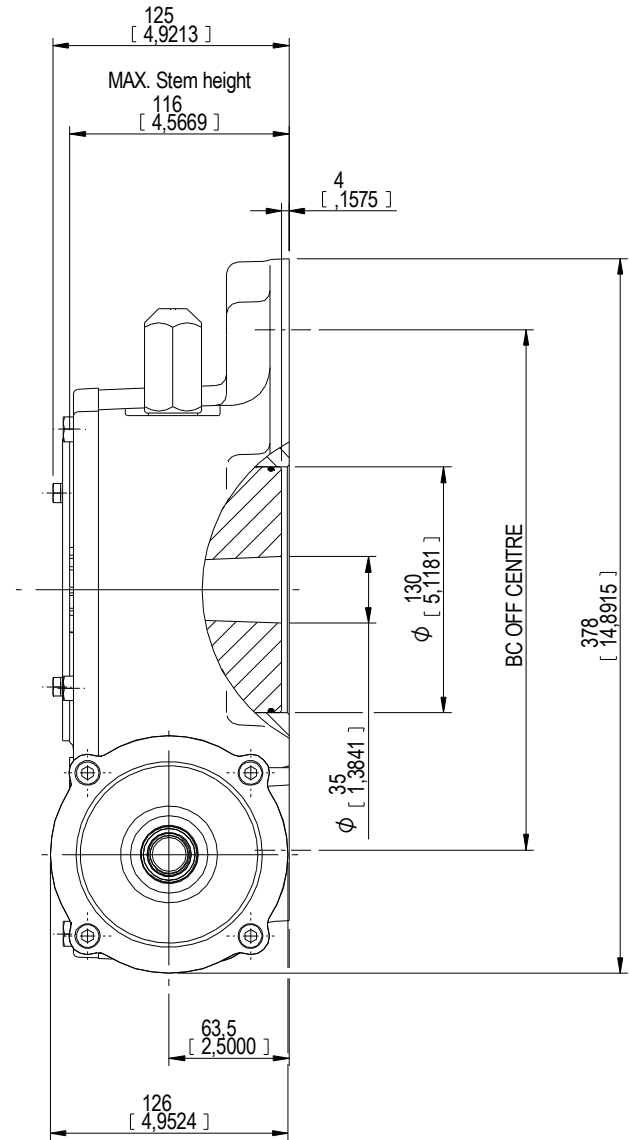
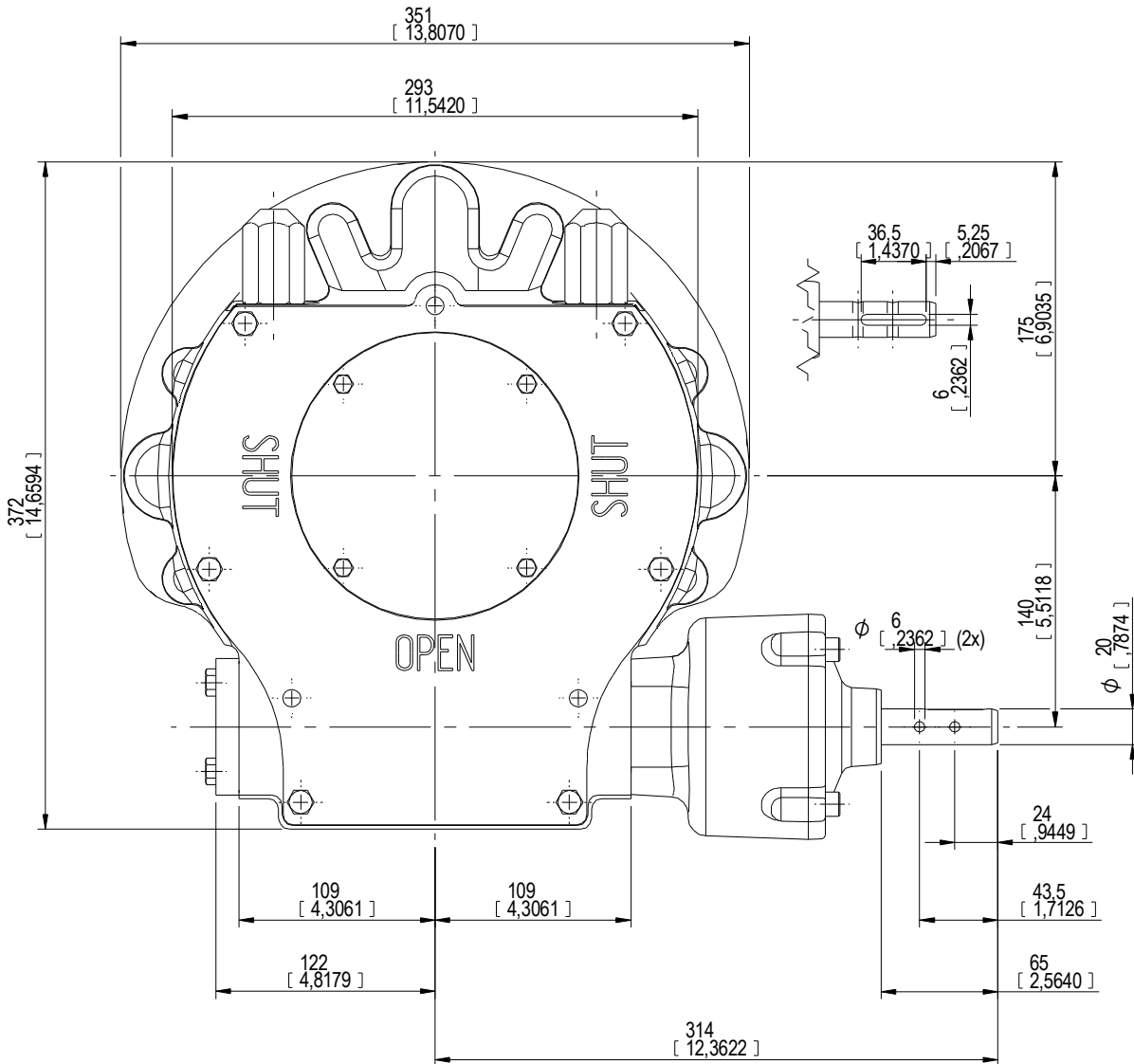


DESCRIPTION		MOUNTING HOLES - BOLT CIRCLE (OFF CENTRES)				BORE: STEM ACCEPTANCE WITH KEYWAY IN ACCORDING WITH STANDARD			TORQUE					
RATIO	URNS TO CLOSE	TRAVEL (1/4 TURN)	WEIGHT	NR of HOLES	MIN ENVELOPE PCD - ØHOLE	MAX ENVELOPE PCD + ØHOLE	ACCORDING TO ISO 5211 / MSS SP-101	MIN	MAX	STANDARD	OUTPUT	INPUT	MA	
348:1	87	-5° TO 95°	57 kg 126 lb	4	Ø275 mm	Ø318 mm	-	Ø35 mm	Ø100 mm	□75 mm	ISO 773 A	11000 Nm	104 Nm	106 ± 15%
				8	Ø275 mm	Ø318 mm	F30							
				4	Ø10.83 inch	Ø12.52 inch	-	Ø1.38 inch	Ø3.94 inch	□2.95 inch	ANSI B17.1	97.358 lbf.in	918 lbf.in	
				8	Ø10.83 inch	Ø12.52 inch	FA30							

AS PART OF CONTINUOUS PRODUCT DEVELOPMENT, ALL DETAILS SUBJECT TO CHANGE WITHOUT PRIOR NOTICE. FOR UP TO DATE DETAILS PLEASE VISIT www.rotork.com



rotork
LOSSEER - THE NETHERLANDS
www.rotork.com

This drawing is confidential and is the property of Rotork Gears and must not be reproduced either wholly or partly. All rights in respect of patents, designs and copyrights are reserved. © 2013

Document type	DETAIL DRAWINGS		Title	GEARBOX AB 3000 G / PR6 BURIED	
	Scale 1:2		LARGE BASE		
Created	Robbin Goosen	19-3-2013	Drawing Number	AB-00189-OUT-1	
Checked	Niels Middel	19-3-2013	Sheet	1 of 1	Size AZ
Approved	Niels Middel	19-3-2013	Rev	00	