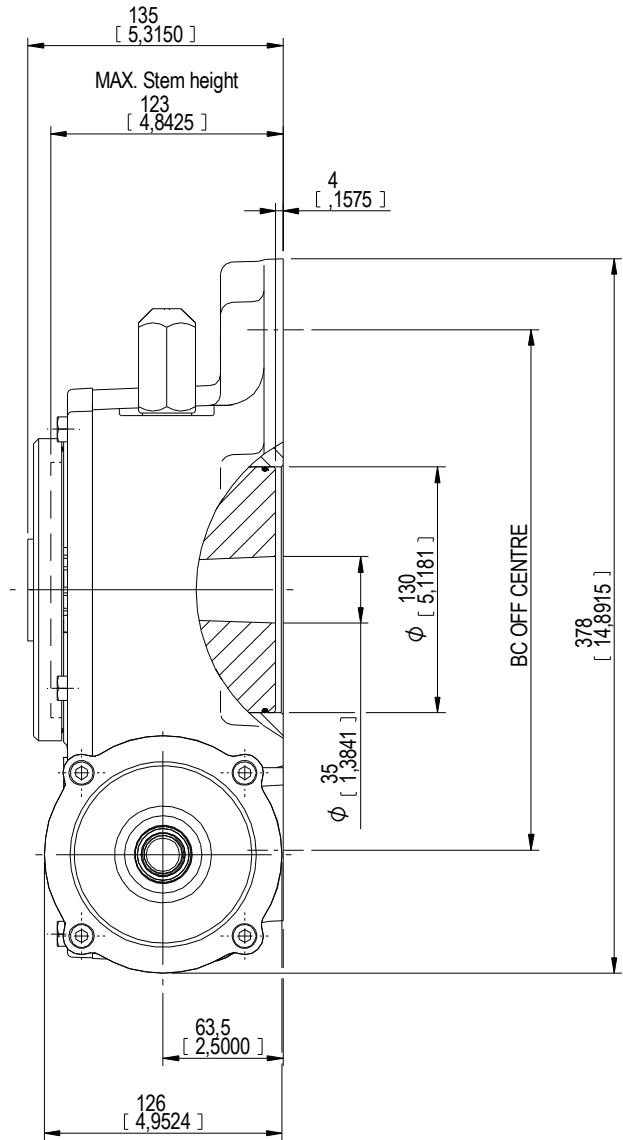
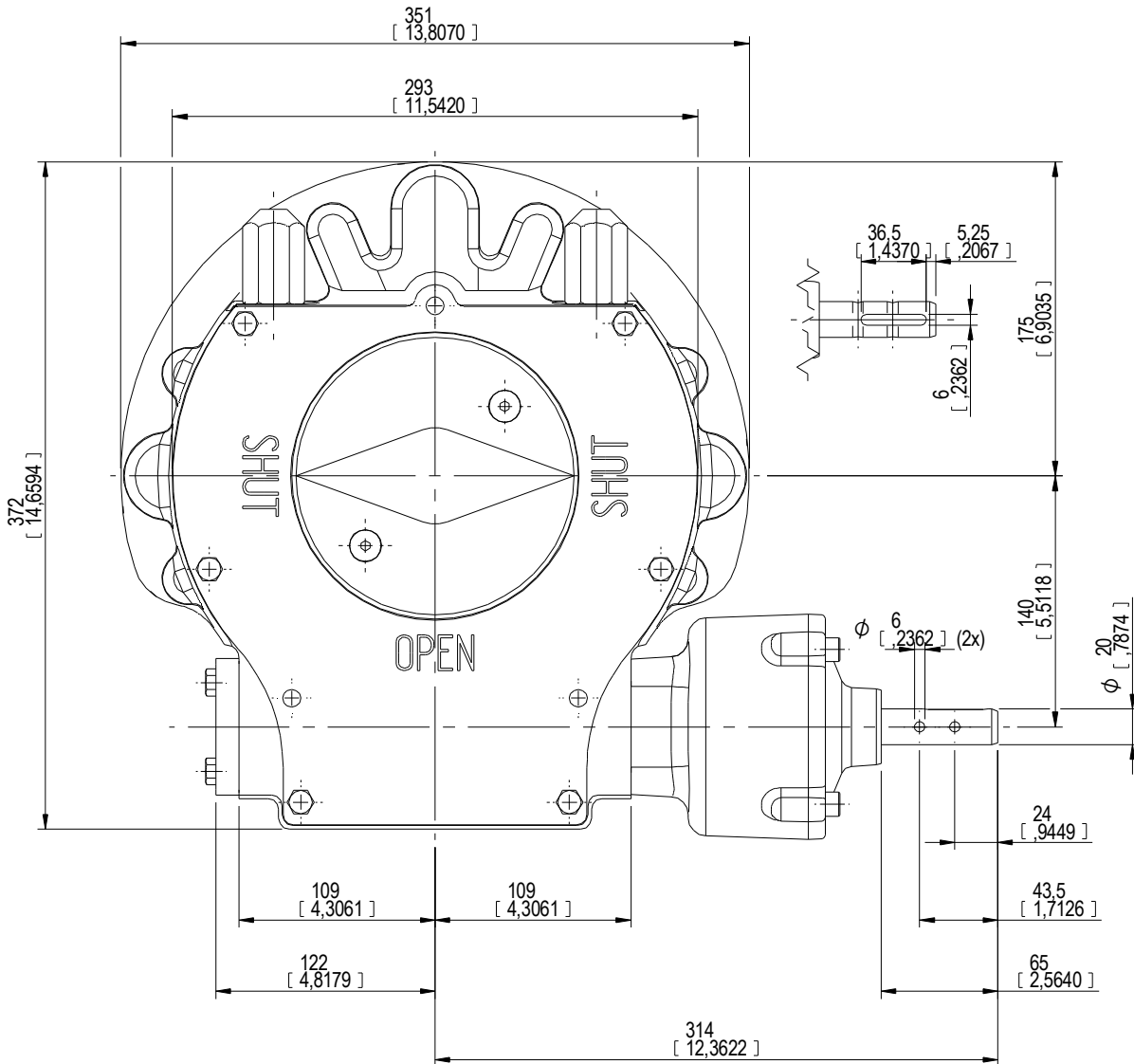


| RATIO | TURNS TO CLOSE | TRAVEL (1/4 TURN) | WEIGHT  | MOUNTING HOLES - BOLT CIRCLE (OFF CENTRES) |                          |                          |                                    | BORE; STEM ACCEPTANCE WITH KEYWAY IN ACCORDING WITH STANDARD |            |            | TORQUE     |               |            |          |
|-------|----------------|-------------------|---------|--|--------------------------|--------------------------|------------------------------------|--|------------|------------|------------|---------------|------------|----------|
|       |                |                   |         | NR of HOLES                                | MIN ENVELOPE PCD - ØHOLE | MAX ENVELOPE PCD + ØHOLE | ACCORDING TO ISO 5211 / MSS SP-101 | MIN  | MAX        | STANDARD   | OUTPUT     | INPUT         | MA         |          |
| 243:1 | 61             | -5° TO 95°        | 55.7 kg | 4  | Ø275 mm                  | Ø318 mm                  | -                                  | Ø35 mm   | Ø100 mm    | □75 mm     | ISO 773 A  | 9000 Nm       | 111 Nm     | 81 ± 15% |
|       |                |                   |         | 8  | Ø275 mm                  | Ø318 mm                  | F30                                |  |            |            |            |               |            |          |
|       |                |                   | 123 lb  | 4  | Ø10.83 inch              | Ø12.52 inch              | -                                  | Ø1.38 inch   | Ø3.94 inch | □2.95 inch | ANSI B17.1 | 79.657 lbf.in | 983 lbf.in |          |
|       |                |                   |         | 8  | Ø10.83 inch              | Ø12.52 inch              | FA30                               |  |            |            |            |               |            |          |

AS PART OF CONTINUOUS PRODUCT DEVELOPMENT, ALL DETAILS SUBJECT TO CHANGE WITHOUT PRIOR NOTICE. FOR UP TO DATE DETAILS PLEASE VISIT [www.rotork.com](http://www.rotork.com)



|   |  |                                      |   |   |
|---|--|--------------------------------------|---|---|
| <br><small>LOSSER - THE NETHERLANDS</small><br><a href="http://www.rotork.com">www.rotork.com</a> | This drawing is confidential and is the property of Rotork Gears and must not be reproduced either wholly or partly. All rights in respect of patents, designs and copyrights are reserved. © 2013 |                                      | Document type<br><b>DETAIL DRAWINGS</b> | Title<br><b>GEARBOX AB 3000 G / PR4</b> |
|   | Created<br>Robbin Goosen<br>18-3-2013  | Checked<br>Niels Middel<br>18-3-2013 | Approved<br>Niels Middel<br>18-3-2013   | Dimensions in mm [inch]<br>Scale 1:2    |
|   |  |                                      | Sheet 1 of 1                            | Rev 00<br>Size AZ                       |