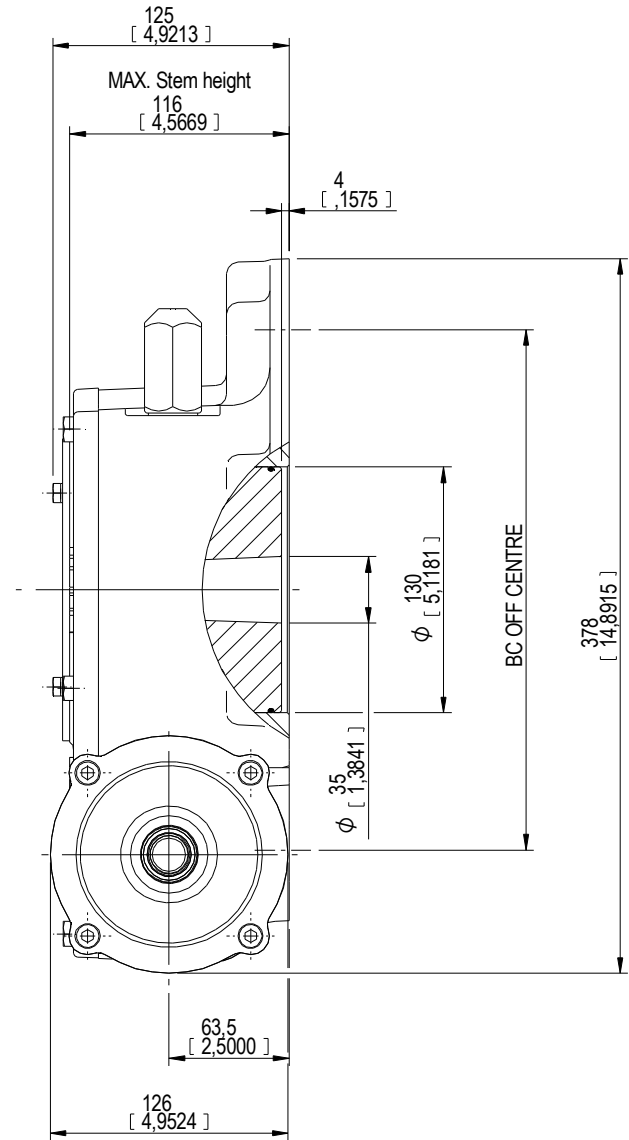
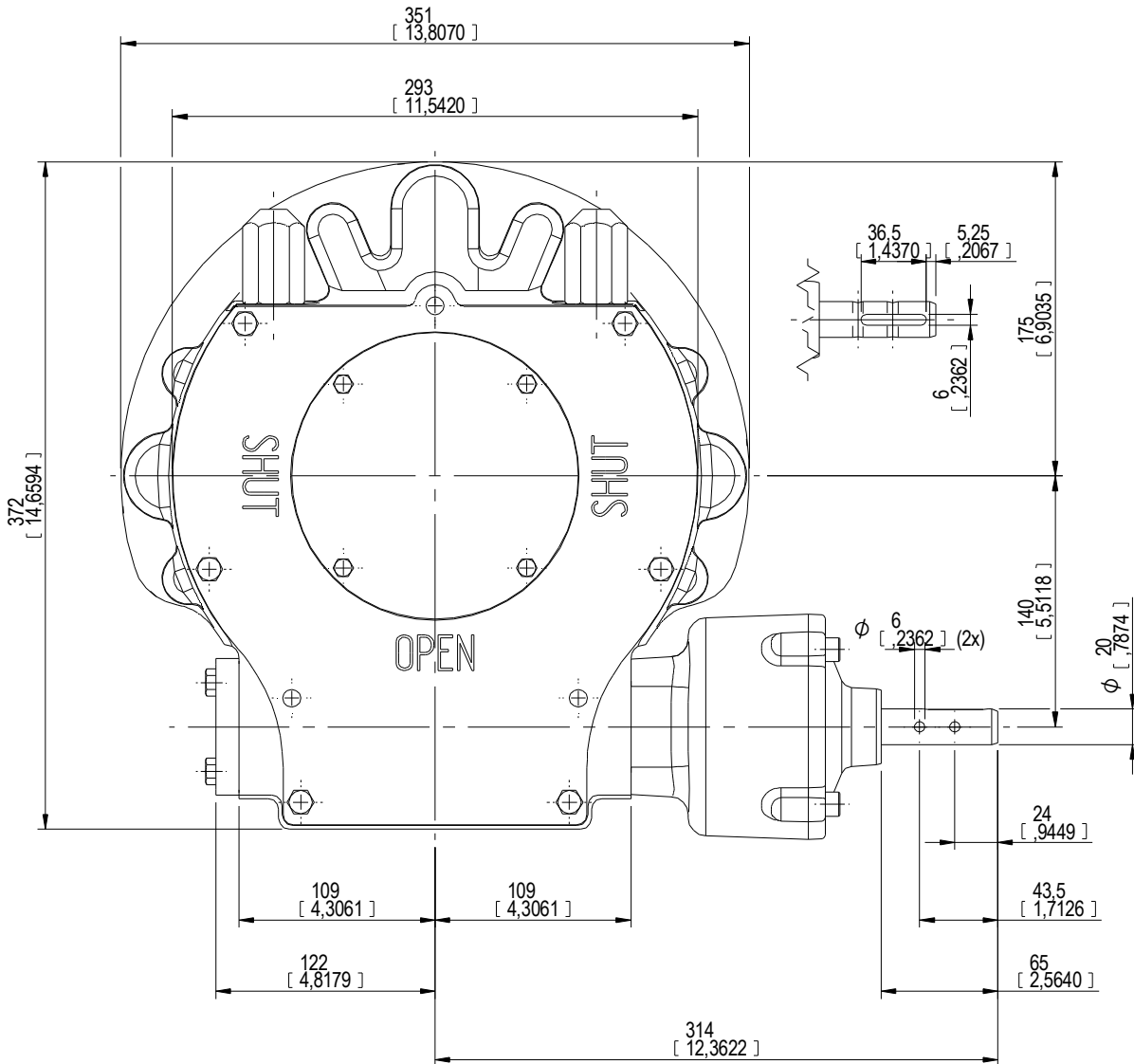


DESCRIPTION		MOUNTING HOLES - BOLT CIRCLE (OFF CENTRES)				BORE; STEM ACCEPTANCE WITH KEYWAY IN ACCORDING WITH STANDARD			TORQUE					
RATIO	URNS TO CLOSE	TRAVEL (1/4 TURN)	WEIGHT	NR of HOLES	MIN ENVELOPE PCD - ØHOLE	MAX ENVELOPE PCD + ØHOLE	ACCORDING TO ISO 5211 / MSS SP-101	MIN	MAX	STANDARD	OUTPUT	INPUT	MA	
243:1	61	-5° TO 95°	55.7 kg 123 lb	4	Ø275 mm	Ø318 mm	-	Ø35 mm	Ø100 mm	□75 mm	ISO 773 A	9000 Nm	111 Nm	81 ± 15%
				8	Ø275 mm	Ø318 mm	F30							
				4	Ø10.83 inch	Ø12.52 inch	-	Ø1.38 inch	Ø3.94 inch	□2.95 inch	ANSI B17.1	79.657 lbf.in	983 lbf.in	
				8	Ø10.83 inch	Ø12.52 inch	FA30							

AS PART OF CONTINUOUS PRODUCT DEVELOPMENT, ALL DETAILS SUBJECT TO CHANGE WITHOUT PRIOR NOTICE. FOR UP TO DATE DETAILS PLEASE VISIT [www.rotork.com](http://www.rotork.com)



 <small>LOSSER - THE NETHERLANDS</small> <a href="http://www.rotork.com">www.rotork.com</a>	Document type <b>DETAIL DRAWINGS</b>			Title <b>GEARBOX AB 3000 G / PR4 BURIED</b>	
	Scale 1:2			LARGE BASE	
Created <b>Robbin Goosen</b> 18-3-2013 Checked <b>Niels Middel</b> 18-3-2013 Approved <b>Niels Middel</b> 18-3-2013	Drawing Number <b>AB-00178-OUT-1</b>		Sheet 1 of 1	Size AZ	Rev 00