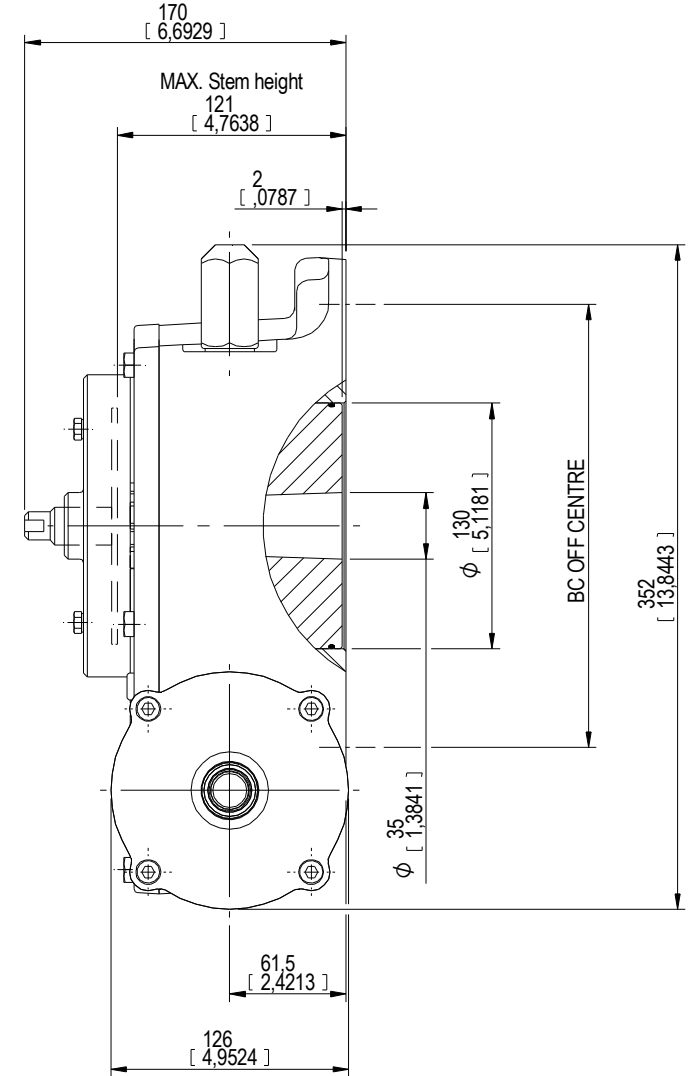
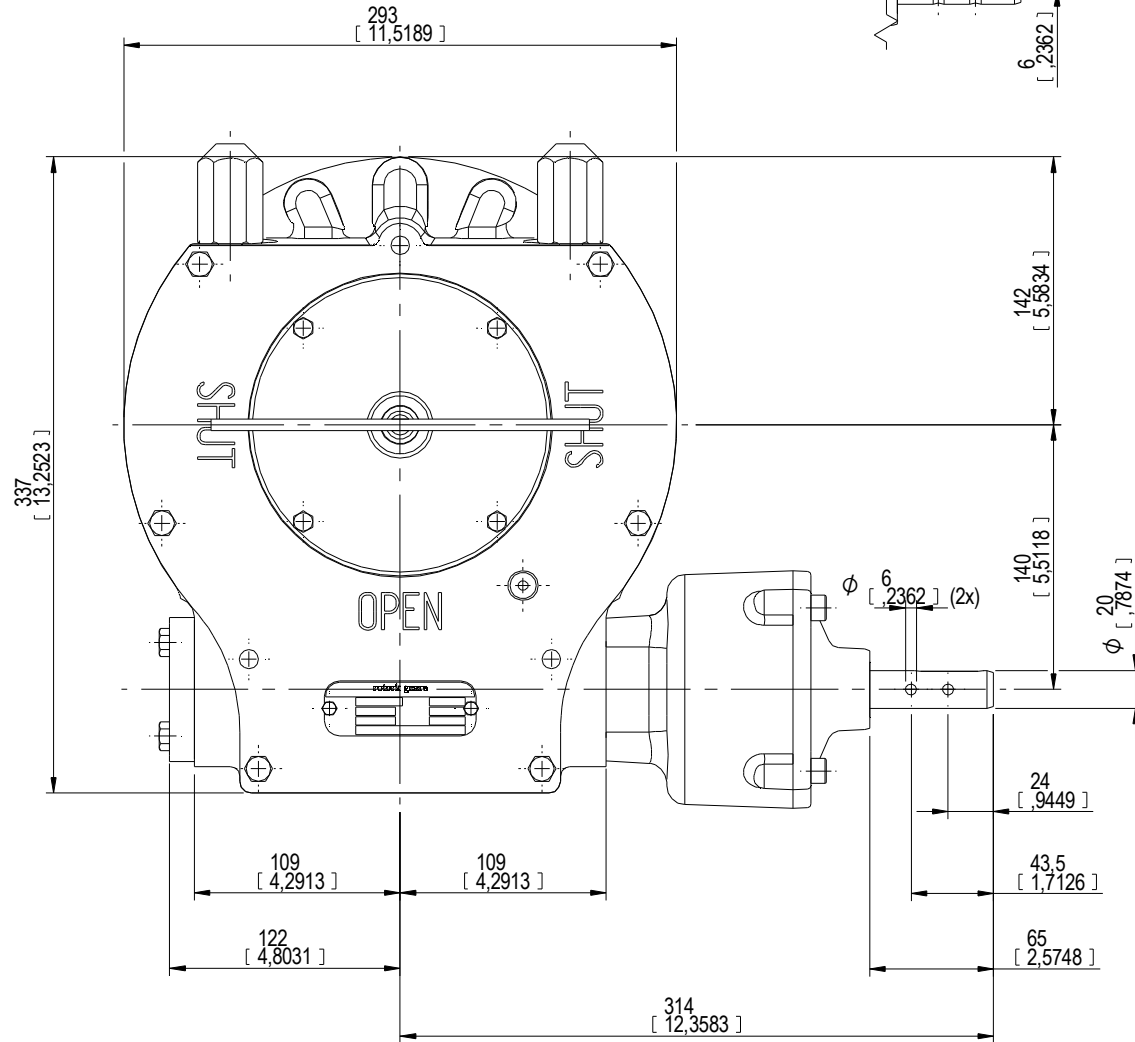
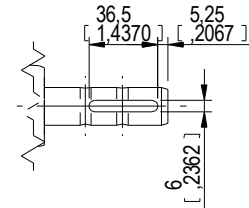


DESCRIPTION		MOUNTING HOLES - BOLT CIRCLE (OFF CENTRES)				BORE: STEM ACCEPTANCE WITH KEYWAY IN ACCORDING WITH STANDARD			TORQUE						
RATIO	URNS TO CLOSE	TRAVEL (1/4 TURN)	WEIGHT	NR of HOLES	MIN ENVELOPE PCD - ØHOLE	MAX ENVELOPE PCD + ØHOLE	ACCORDING TO ISO 5211 / MSS SP-101	MIN	MAX	STANDARD	OUTPUT	INPUT	MA		
348:1	87	-5° TO 95°	51 kg	4	Ø165 mm	Ø254 mm	F16	Ø35 mm	Ø100 mm	□75 mm	ISO 773 A	11000 Nm	104 Nm	106 ± 15%	
				8	Ø165 mm	Ø254 mm	F25								
				112 lb	4	Ø6.50 inch	Ø10.0 inch	FA16	Ø1.38 inch	Ø3.94 inch	□2.95 inch	ANSI B17.1	97.358 lbf.in		918 lbf.in
					8	Ø6.50 inch	Ø10.0 inch	FA25							

AS PART OF CONTINUOUS PRODUCT DEVELOPMENT, ALL DETAILS SUBJECT TO CHANGE WITHOUT PRIOR NOTICE. FOR UP TO DATE DETAILS PLEASE VISIT www.rotork.com



	Document type		DETAIL DRAWINGS		Title	
	Scale		1:2		GEARBOX AB 3000 G / PR6 SUBSEA	
Created	Robbin.Gooßen	19-3-2013	Drawing Number		AB-00168-OUT-1	Rev
Checked	Niels Middel	19-3-2013	Sheet		1 of 1	Size
Approved	Niels Middel	19-3-2013	Sheet		1 of 1	Size

www.rotork.com