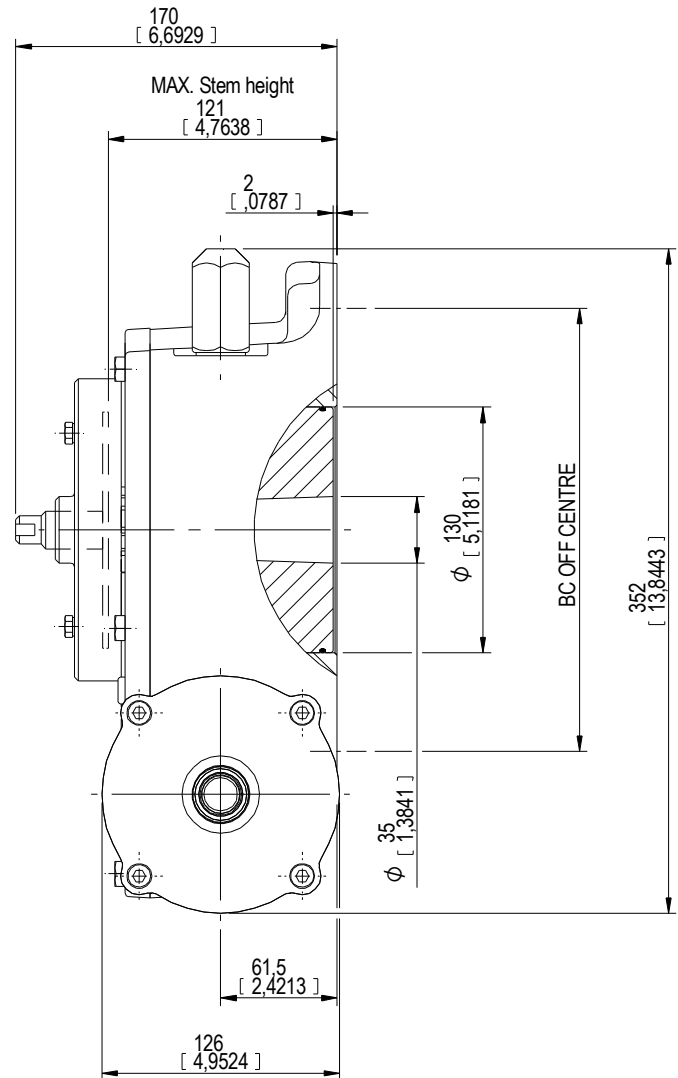
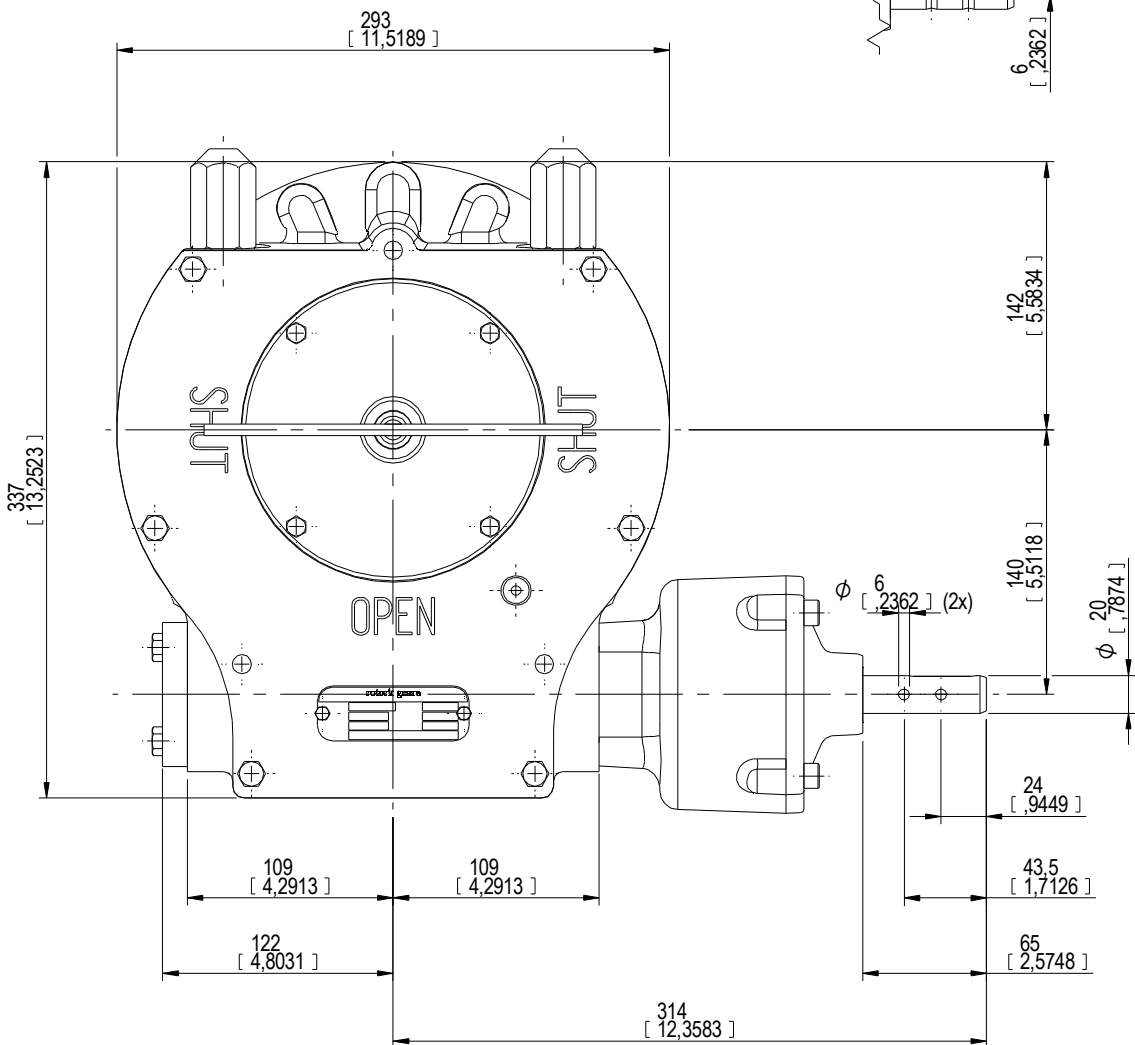
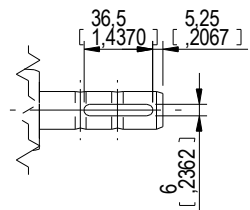


RATIO	TURNS TO CLOSE	TRAVEL (1/4 TURN)	WEIGHT	MOUNTING HOLES - BOLT CIRCLE (OFF CENTRES)				BORE; STEM ACCEPTANCE WITH KEYWAY IN ACCORDING WITH STANDARD			TORQUE			
				NR of HOLES	MIN ENVELOPE PCD - ØHOLE	MAX ENVELOPE PCD + ØHOLE	ACCORDING TO ISO 5211 / MSS SP-101	MIN	MAX	STANDARD	OUTPUT	INPUT	MA	
243:1	61	-5° TO 95°	49 kg	4	Ø165 mm	Ø254 mm	F16	Ø35 mm	Ø100 mm	□75 mm	ISO 773 A	9000 Nm	111 Nm	
				8	Ø165 mm	Ø254 mm	F25							
			108 lb	4	Ø6.50 inch	Ø10.0 inch	FA16	Ø1.38 inch	Ø3.94 inch	□2.95 inch	ANSI B17.1	79.657 lbf.in	983 lbf.in	81 ± 15%
				8	Ø6.50 inch	Ø10.0 inch	FA25							
AS PART OF CONTINUOUS PRODUCT DEVELOPMENT, ALL DETAILS SUBJECT TO CHANGE WITHOUT PRIOR NOTICE. FOR UP TO DATE DETAILS PLEASE VISIT www.rotork.com														



Document type	DETAIL DRAWINGS		Title	GEARBOX AB 3000 G / PR4 SUBSEA	
	Scale 1:2		Dimensions in mm [inch]		
Created	Robbin Gosen	19-3-2013	Drawing Number	AB-00051-OUT-1	
Checked	Niels Middel	19-3-2013	Sheet 1 of 1	Size	AZ
Approved	Niels Middel	19-3-2013	Rev	00	