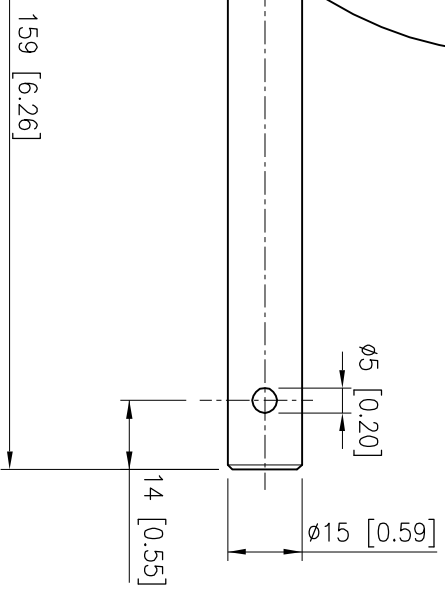
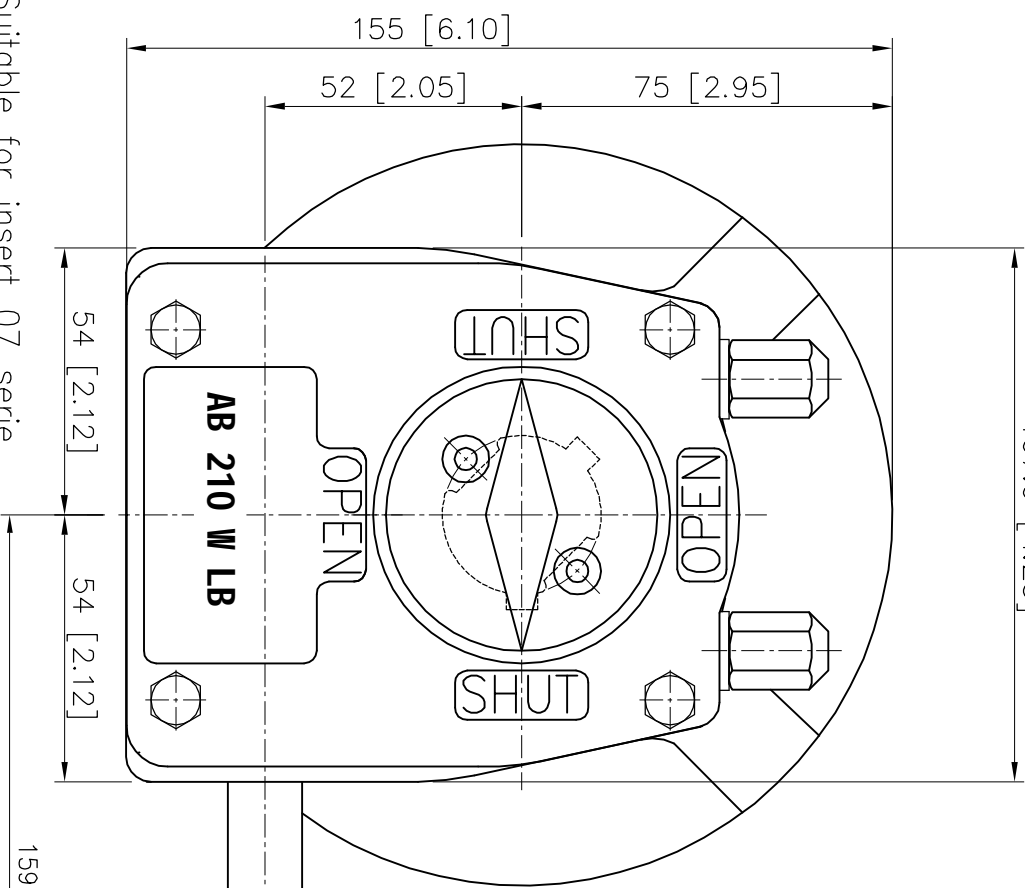
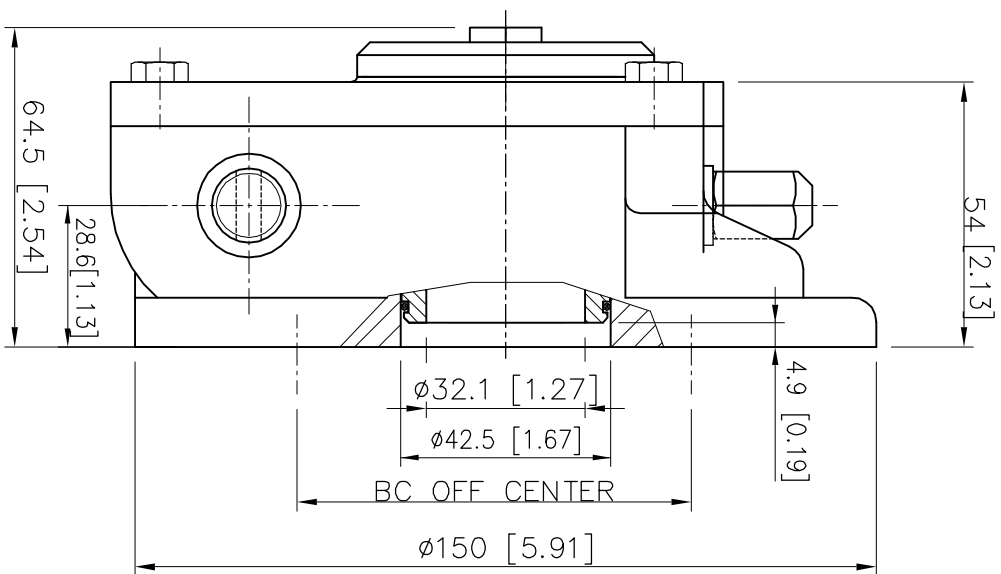


107.9 [4.25]



Max. STEM height

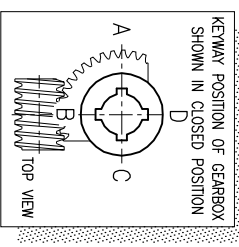


Suitable for insert 07 serie

DESCRIPTION
 TRAVEL : -5° to 95° adjustable
 RATIO : 37 : 1
 TURNS TO CLOSE : 9.25
 WEIGHT : 5.5 kg. (12.1lb) excl.handwheel

MOUNTINGHOLES
 BOLT CIRCLE : min. $\phi 50$ [1.97]
 (OFF CENTER) max. $\phi 125$ [4.92]
 acc. ISO 5211 : F05-F07-F10-F12
 BORE : min.8.4[0.33] max. $\phi 20$ [0.79] #17[0.67]

TORQUE
 max.OUTPUT : 330 Nm (2921 lbf.in.)
 max.INPUT : 28.5 Nm (252 lbf.in.)
 M.A. : 11.6 $\pm 15\%$

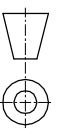


rotork gears

Nijenheidestraat 25
 7581 PV Losser
 The Netherlands

GEARBOX AB 210 W LB

THIS DOCUMENT IS PROPERTY OF ROTORK GEARS. NEITHER THIS OR ITS CONTENT MAY BE COPIED OR USED IN ANY OTHER WAY WITHOUT THE INTEREST OF ROTORK GEARS. ANY PART OF THIS DOCUMENT SHALL CONSTITUTE A KNOWLEDGEMENT OF THE FOREGOING CONDITIONS



Drawn : S.B.

Date : 05-11-2009

Dwg Nr.: D02W1 LB-001

Rev.: 01