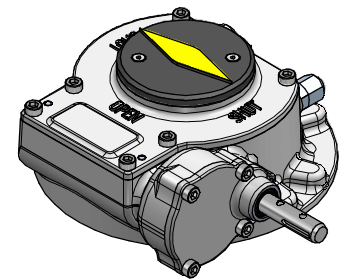
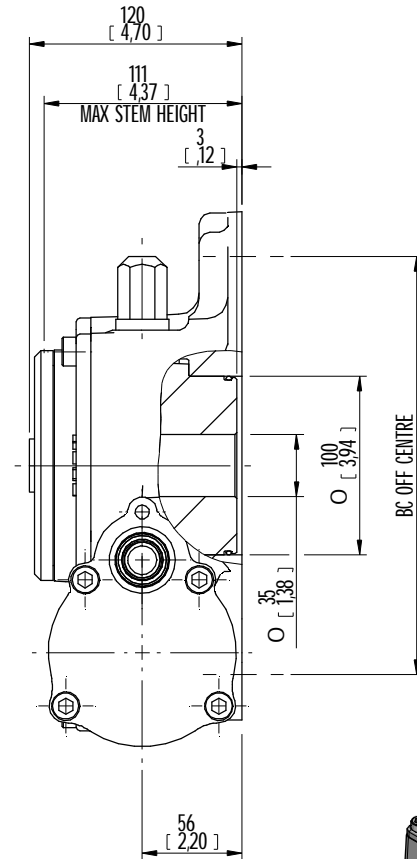
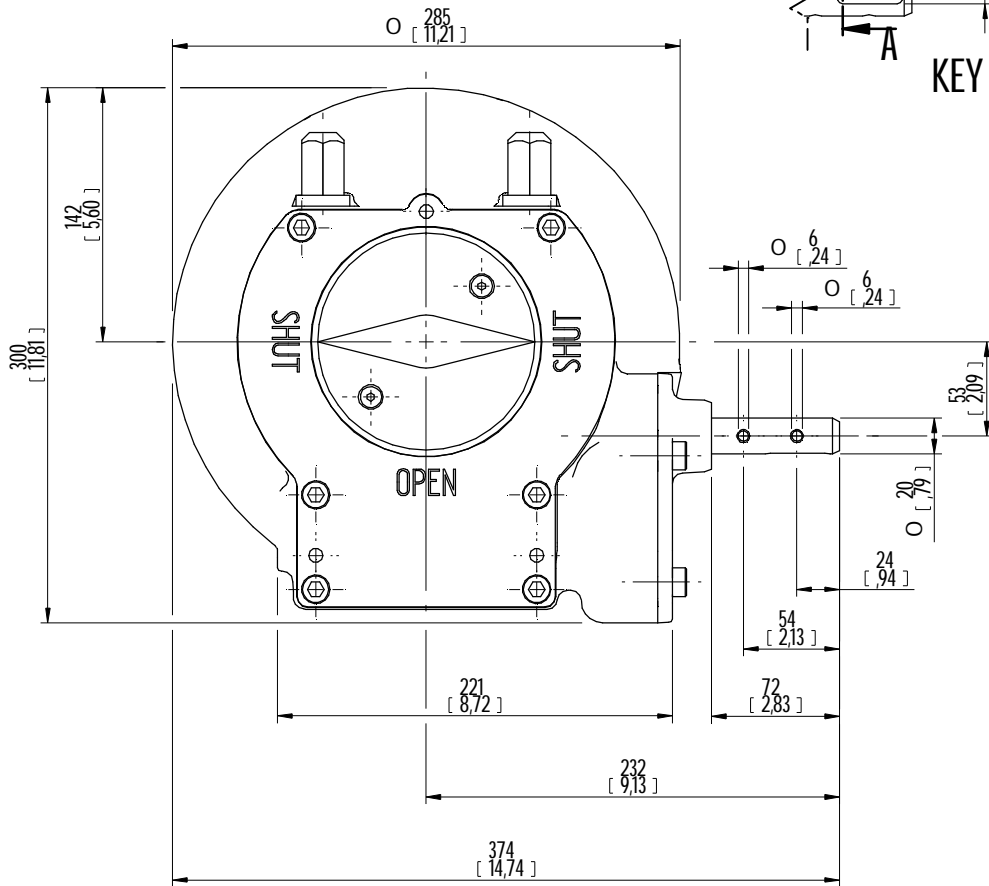
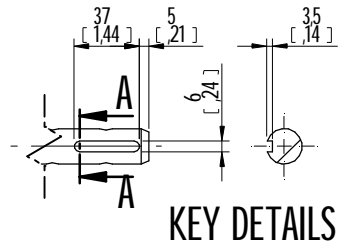
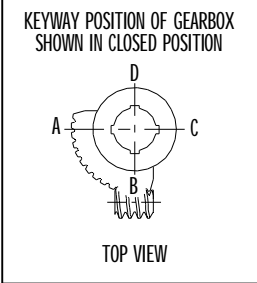


DESCRIPTION				MOUNTING HOLES - BOLT CIRCLE (OFF CENTRES)			BORE: STEM ACCEPTANCE WITH KEYWAY IN ACCORDING WITH STANDARD			TORQUE			
RATIO	TURNS TO CLOSE	TRAVEL (1/4 TURN)	WEIGHT	NR of HOLES	MIN PCD - ØHOLE	MAX PCD + ØHOLE	ACCORDING TO ISO 5211 / MSS SP-101	MIN	MAX	STANDARD	OUTPUT	INPUT	MA
109:1	27	-5° TO 95°	27 kg	4	Ø 145 mm	Ø 185 mm	F16	Ø35 mm	Ø90 mm	ISO 773 A	4500 Nm	136 Nm	33 ± 15%
				8	Ø188 mm	Ø270 mm	F25						
			59 lbs	4	Ø 5.709 inch	Ø 7.283 inch	FA16						
				8	Ø7.40 inch	Ø10.62 inch	FA25						

AS PART OF CONTINUOUS PRODUCT DEVELOPMENT, ALL DETAILS SUBJECT TO CHANGE WITHOUT PRIOR NOTICE. FOR UP TO DATE DETAILS PLEASE VISIT www.rotork.com



ISOMETRIC VIEW
1:5

Rev	CN	Revised	Approved	Date	DD-MMM-YYYY	FIRST ISSUE	Change Description
00							

 LOSSER - NETHERLANDS www.rotork.com	Document type DETAIL DRAWING Dimensions in mm Scale 1:3	Title AB2000 AB2000 W-TYPE ASSEMBLY F25 BASE, LH PROJECTION	
		Created M R 19-12-2012	Drawing Number AB2000W LH LB
Checked P LINE 26-2-2013	Approved - DD-MMM-YYYY	Sheet 1 of 3	Size A3

Rev 01