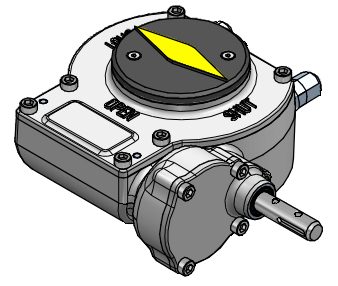
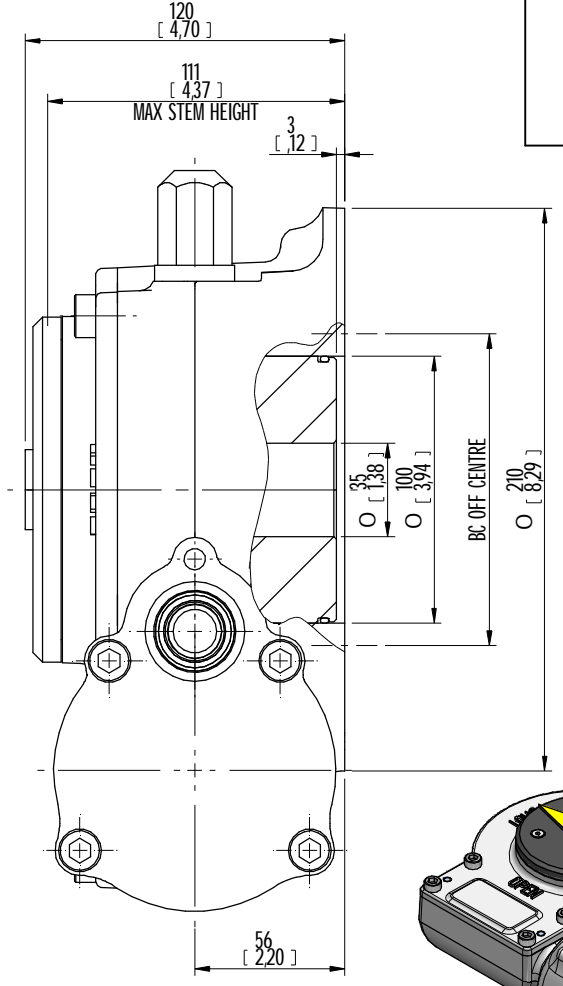
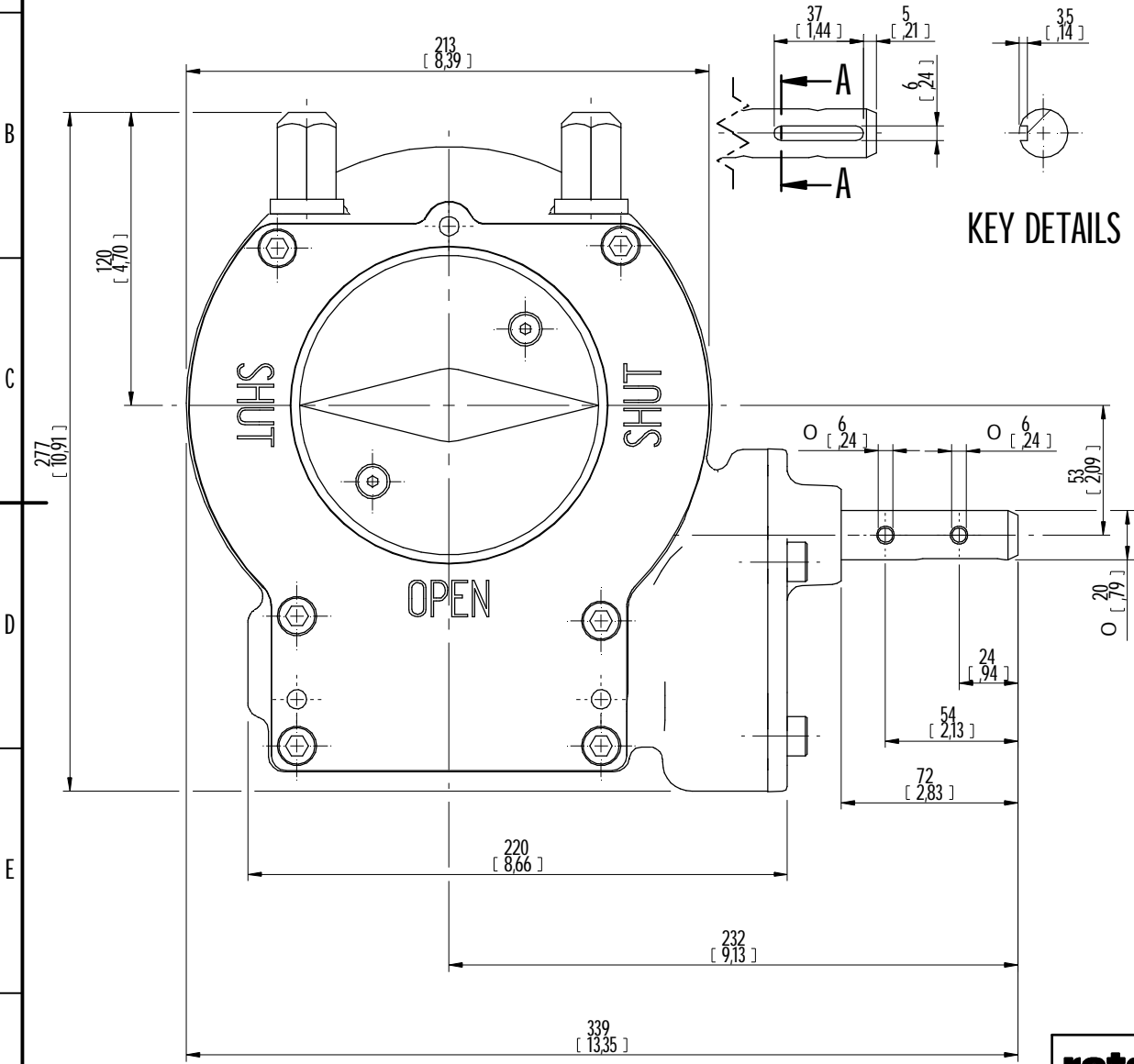
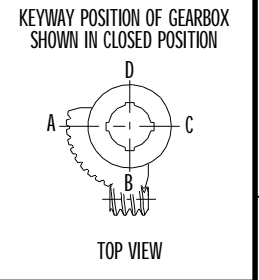


DESCRIPTION				MOUNTING HOLES - BOLT CIRCLE (OFF CENTRES)			BORE: STEM ACCEPTANCE WITH KEYWAY IN ACCORDING WITH STANDARD			TORQUE			
RATIO	TURNS TO CLOSE	TRAVEL (1/4 TURN)	WEIGHT	NR of HOLES	MIN PCD - ØHOLE	MAX PCD + ØHOLE	ACCORDING TO ISO 5211 / MSS SP-101	MIN	MAX	STANDARD	OUTPUT	INPUT	MA
109:1	27	-5° TO 95°	24 kg	4	Ø104 mm	Ø195 mm	F12 - F14 - F16	Ø35 mm	Ø90 mm	ISO 773 A	4500 Nm	136 Nm	33 ± 15%
				8	N/A	N/A	N/A						
			52 lbs	4	Ø4.09 inch	Ø7.67 inch	FA12 - FA14 - FA16						
				8	N/A	N/A	N/A						

AS PART OF CONTINUOUS PRODUCT DEVELOPMENT, ALL DETAILS SUBJECT TO CHANGE WITHOUT PRIOR NOTICE. FOR UP TO DATE DETAILS PLEASE VISIT www.rotork.com



ISOMETRIC VIEW
1:5

OO	CN	Revised	Approved	DD-MMM-YYYY	FIRST ISSUE
Rev	CN	Revised	Approved	Date	Change Description

 LOSSER - NETHERLANDS www.rotork.com	This drawing is confidential and is the property of Rotork Gears and must not be reproduced either wholly or partly. All rights in respect of patents, designs and copyrights are reserved. ©2012	Document type	DETAIL DRAWING		Title	AB2000
			Dimensions in mm	Scale 1:2		AB2000 W-TYPE ASSEMBLY F16 BASE, LH PROJECTION
Created	M R	19-12-2012	Drawing Number		AB2000W LH	Rev A
Checked	P LINE	6-2-2013	Sheet 1 of 3		Size A3	
Approved	-	DD-MMM-YYYY				

Rev 01