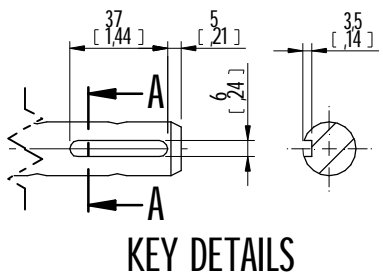
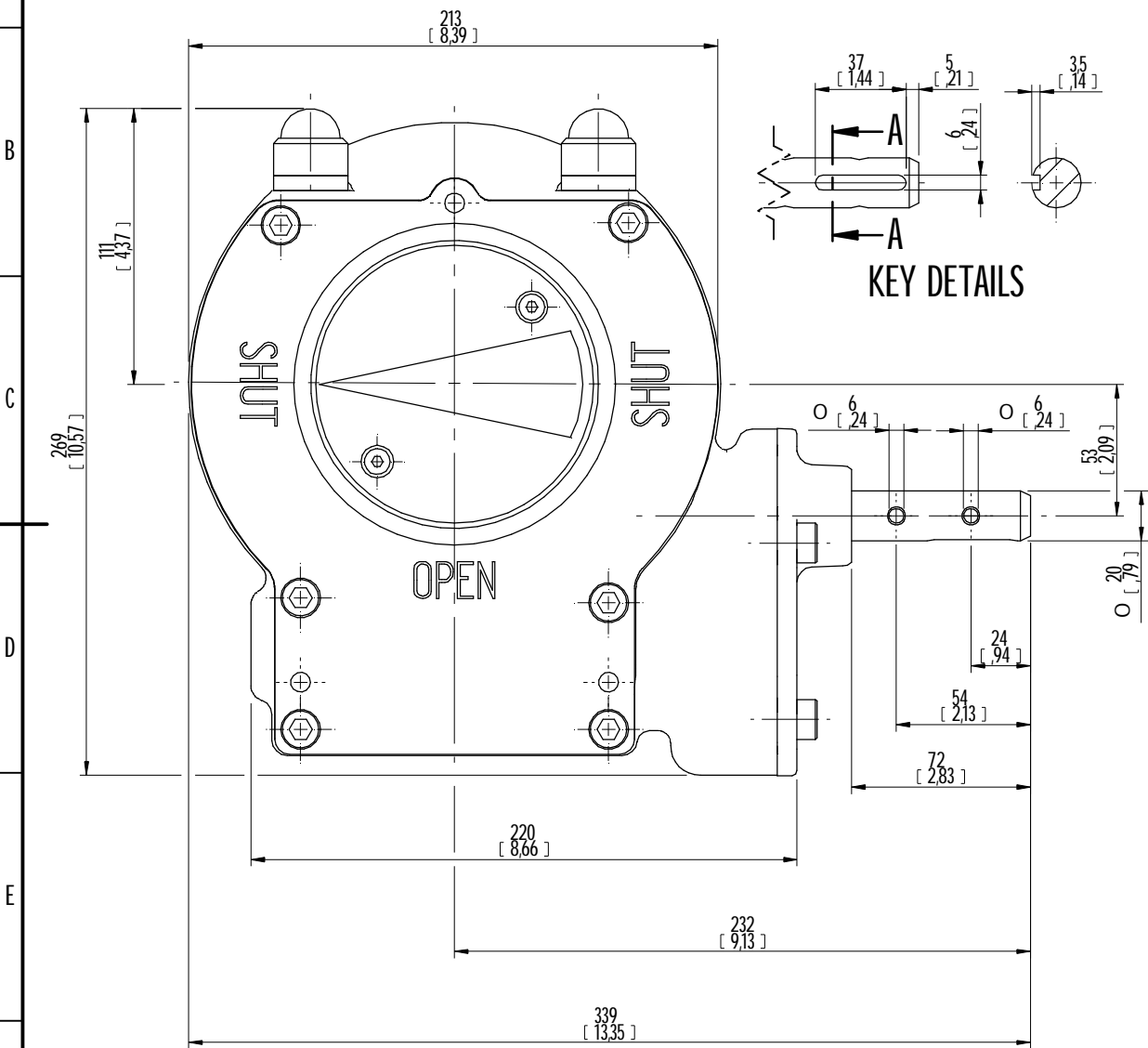
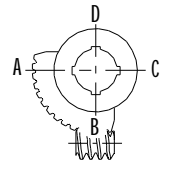


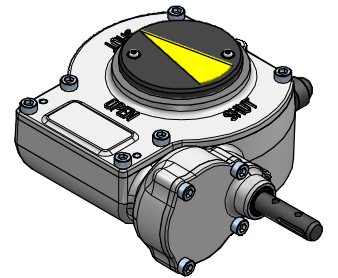
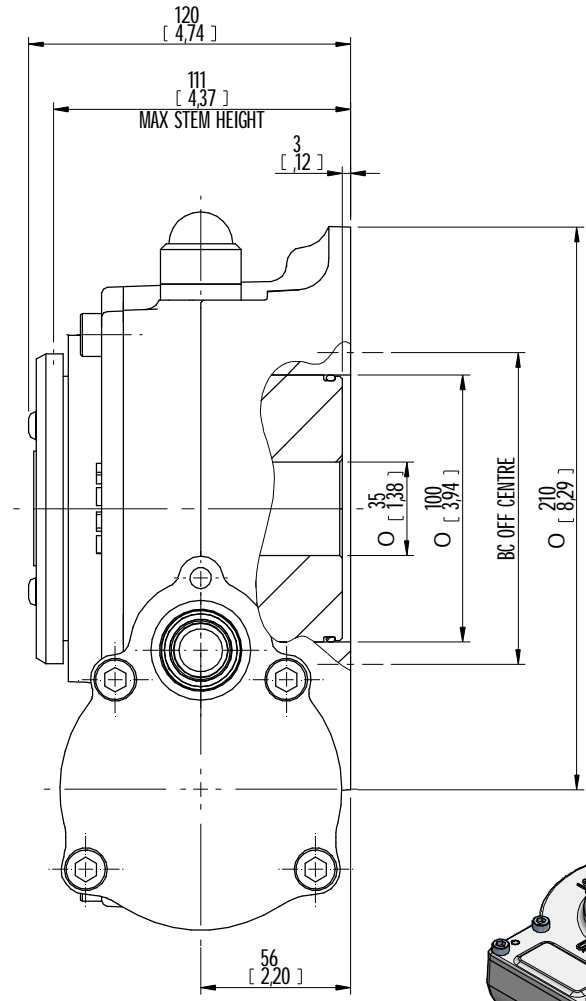
DESCRIPTION				MOUNTING HOLES - BOLT CIRCLE (OFF CENTRES)			BORE: STEM ACCEPTANCE WITH KEYWAY IN ACCORDING WITH STANDARD			TORQUE			
RATIO	TURNS TO CLOSE	TRAVEL (1/4 TURN)	WEIGHT	NR OF HOLES	MIN PCD - ØHOLE	MAX PCD + ØHOLE	ACCORDING TO ISO 5211 / MSS SP-101	MIN	MAX	STANDARD	OUTPUT	INPUT	MA
109:1	27	-5° TO 95°	24 kg	4	Ø104 mm	Ø195 mm	F12 - F14 - F16	Ø35 mm	Ø90 mm	ISO 773 A	4500 Nm	136 Nm	33 ± 15%
			52 lbs	8	N/A	N/A	N/A						
			4	Ø4.09 inch	Ø7.67 inch	FA12 - FA14 - FA16	Ø1.38 inch	Ø2.76 inch	ANSI B17.1	39,828 lbf.in	1204 lbf.in		
			8	N/A	N/A	N/A							

AS PART OF CONTINUOUS PRODUCT DEVELOPMENT, ALL DETAILS SUBJECT TO CHANGE WITHOUT PRIOR NOTICE. FOR UP TO DATE DETAILS PLEASE VISIT www.rotork.com

KEYWAY POSITION OF GEARBOX SHOWN IN CLOSED POSITION



KEY DETAILS



ISOMETRIC VIEW
1:5

OO	Rev	CN	Revised	Approved	DD-MMM-YYYY	FIRST ISSUE	Date	Change Description

rotork
Gears
LOSSER - NETHERLANDS
www.rotork.com

© This drawing is confidential and is the property of Rotork Gears and must not be reproduced either wholly or partly. All rights in respect of patents, designs and copyrights are reserved. ©2012

Document type		DETAIL DRAWING		Title	
		Dimensions in mm		AB2000	
		Scale 1:2		AB2000 STANDARD ASSMBLY F16 BASE, LH PROJECTION	
Created	VIGNESH G	20-11-2012		Drawing Number	
Checked	P LINE	6-2-2013		AB2000N LH	
Approved	-	DD-MMM-YYYY		Sheet 1 of 3 Size A3	

Rev 01