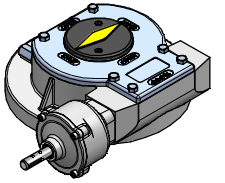
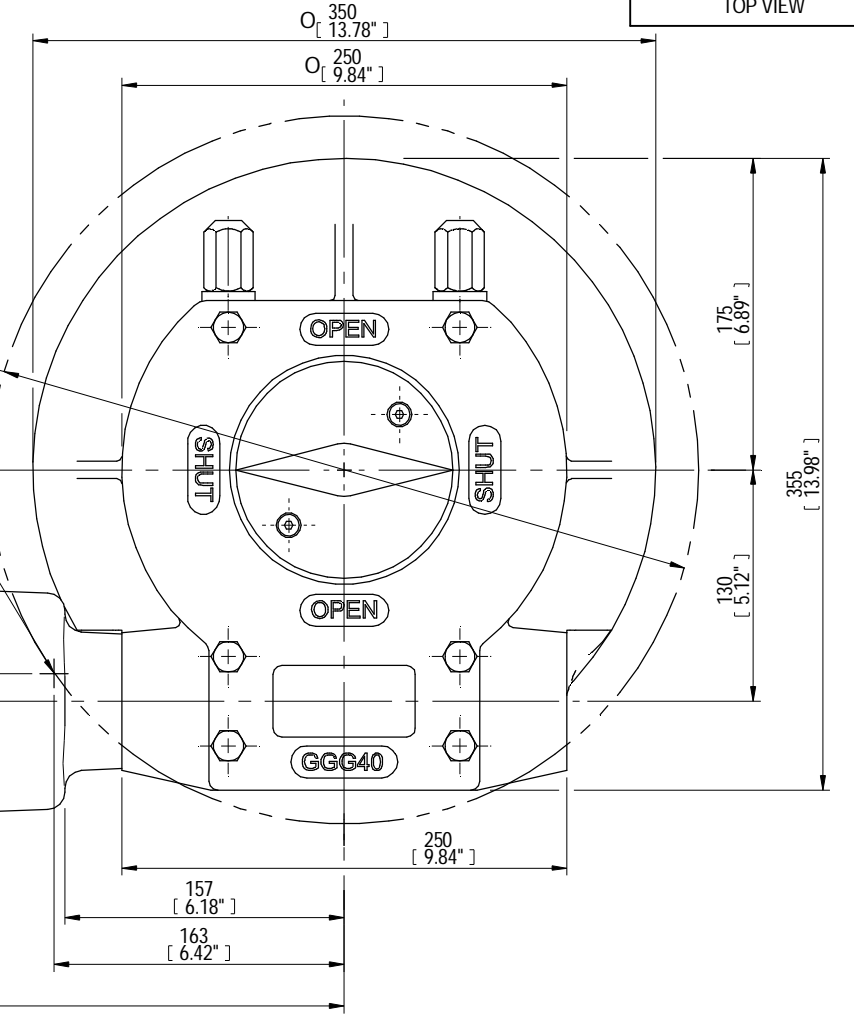
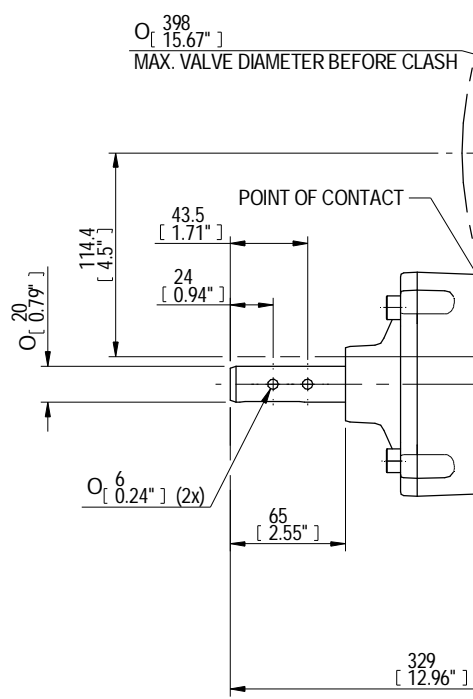
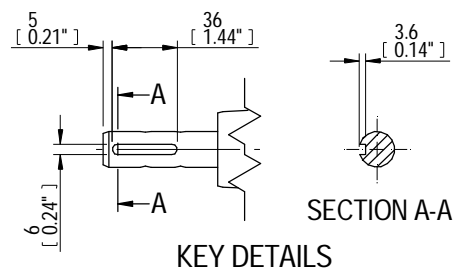
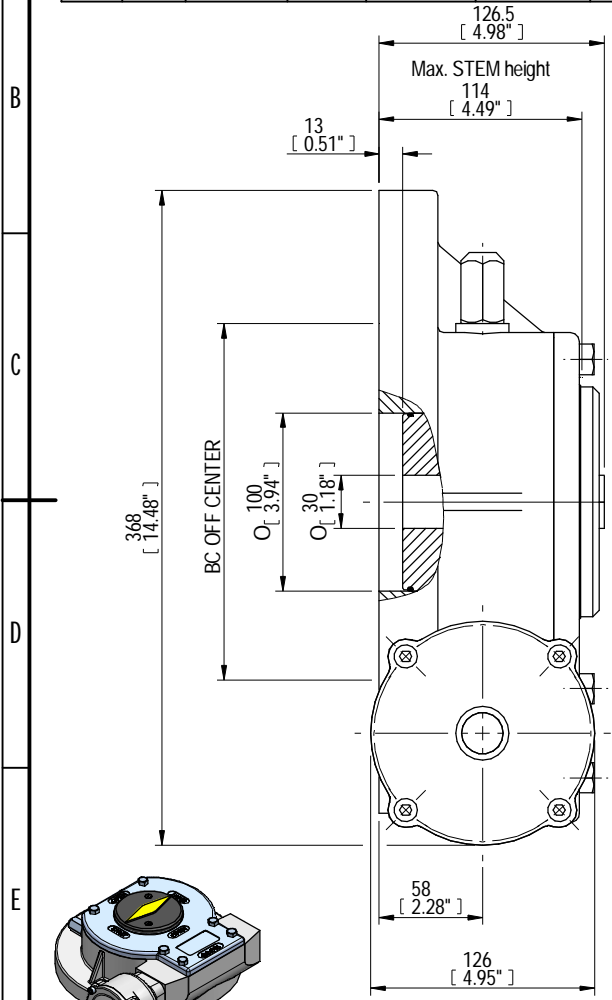
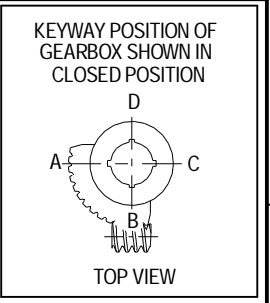


DESCRIPTION				MOUNTING HOLES - BOLT CIRCLE OFF CENTRES			BORE: STEM ACCEPTANCE WITH KEYWAY IN ACCORDING WITH STANDARD			TORQUE			
RATIO	TURNS TO CLOSE	TRAVEL (1/4 TURN)	WEIGHT	NR of HOLES	MIN ENVELOP PCD - ØHOLE	MAX ENVELOP PCD + ØHOLE	ACCORDING TO ISO 5211 / MSS SP-101	MIN	MAX	STANDARD	OUTPUT	INPUT	MA
217:1	54.25	-5° TO 95°	52 kg	4	Ø 104 mm	Ø 340 mm	F12-F14-F16	Ø 30 mm	Ø 80 mm	DIN 6885-1	7000 Nm	106 Nm	66.0u 15%
				8	Ø 104 mm	Ø 340 mm	F25-F30						
			115 lbs	4	Ø 4.09 inch	Ø 13.39 inch	FA12-FA14-FA16	Ø 1.18 inch	Ø 3.15 inch	ANSI B17.1			
				8	Ø 4.09 inch	Ø 13.39 inch	FA25-FA30						



ISOMETRIC VIEW
1:10

AS PART OF CONTINUOUS PRODUCT DEVELOPMENT, ALL DETAILS SUBJECT TO CHANGE WITHOUT PRIOR NOTICE. FOR UP TO DATE DETAILS PLEASE VISIT www.rotork.com

 LOSSER - THE NETHERLANDS www.rotork.com	This drawing is confidential and is the property of Rotork Gears and must not be reproduced either wholly or partly. All rights in respect of patents, designs and copyrights are reserved. © 2013		Document type DETAIL DRAWING	Title AB1950W LB WITH PR4 RH PLANETARY GEARBOX-PR4
	Created K. DANIEL	11/11/2013	Drawing Number AB1950W-PR4 LB RH	Rev A
Checked PRABUD	15/11/2013	Sheet 1 of 1	Size A3	

Rev.01

Rev	CN	Revised	Approved	Date	Change Description
A				15/11/2013	FIRST ISSUE