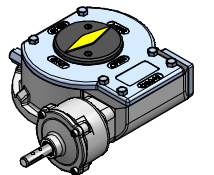
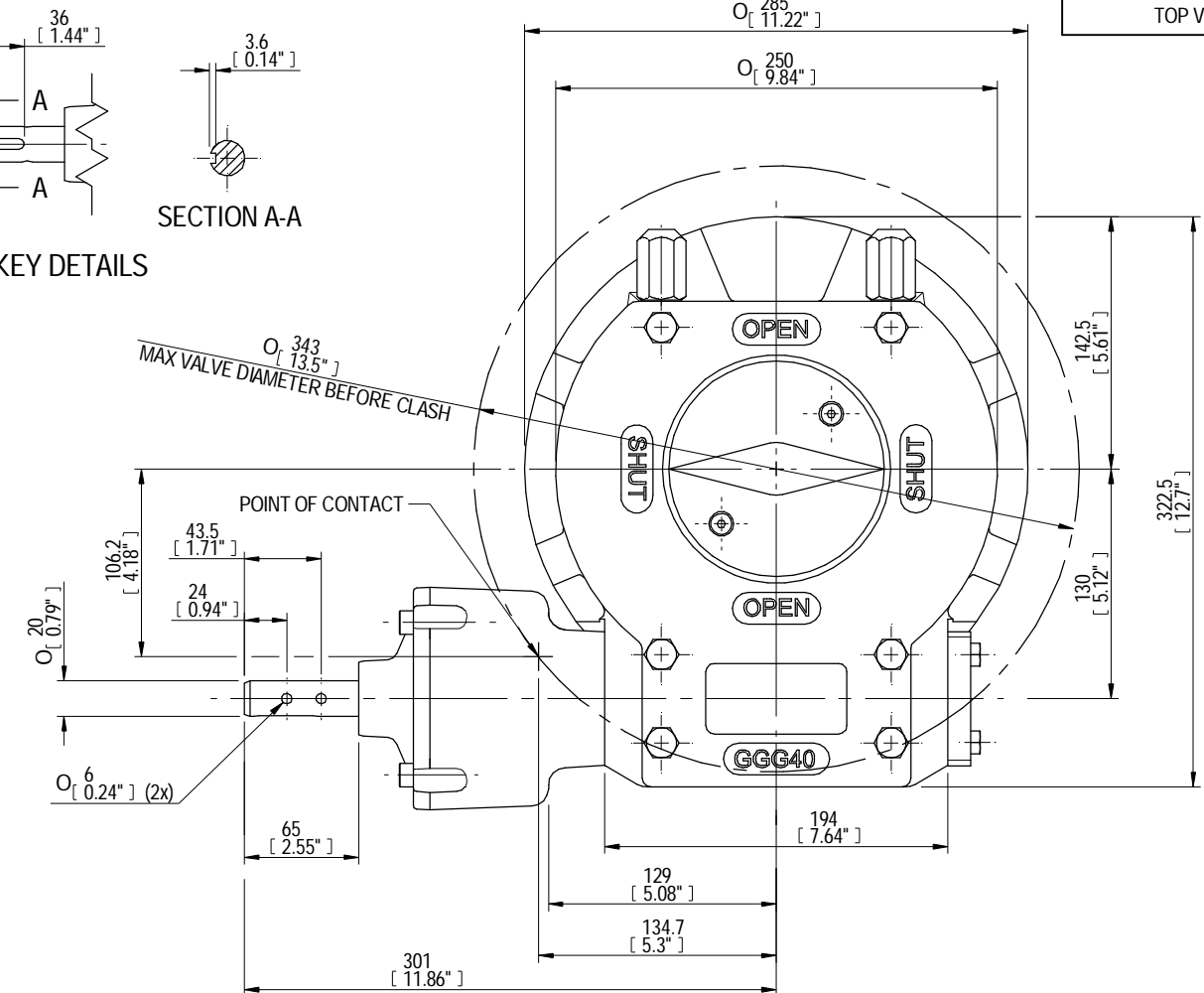
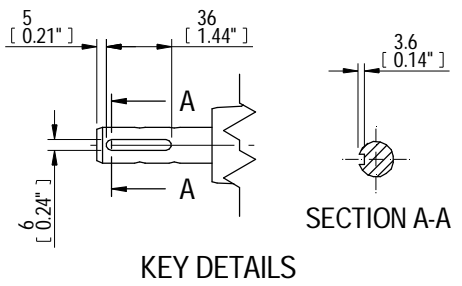
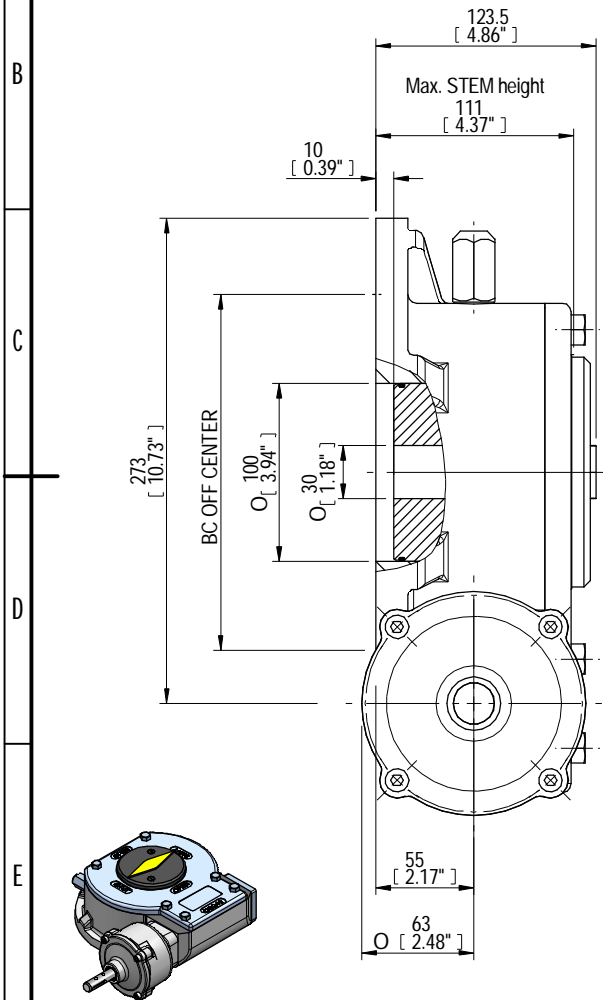
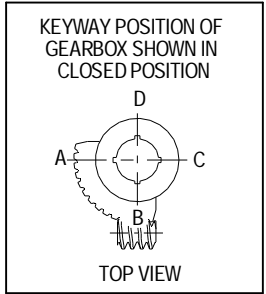


| DESCRIPTION | | | | MOUNTING HOLES - BOLT CIRCLE OFF CENTRES | | | BORE; STEM ACCEPTANCE WITH KEYWAY IN ACCORDING WITH STANDARD | | | TORQUE | | | |
|-------------|---------------|-------------------|--------|--|-------------------------|-------------------------|--|-------------|-------------|------------|---------------|--------------|-----------|
| RATIO | URNS TO CLOSE | TRAVEL (1/4 TURN) | WEIGHT | NR of HOLES | MIN ENVELOP PCD - ØHOLE | MAX ENVELOP PCD + ØHOLE | ACCORDING TO ISO 5211 / MSS SP-101 | MIN | MAX | STANDARD | OUTPUT | INPUT | MA |
| 217:1 | 54.25 | -5° TO 95° | 39 kg | 4 | Ø 104 mm | Ø 280 mm | F12-F14-F16 | Ø 30 mm | Ø 80 mm | DIN 6885-1 | 7000 Nm | 106 Nm | 66.0u 15% |
| | | | | 8 | Ø 104 mm | Ø 280 mm | F25 | | | | | | |
| | | | 85 lbs | 4 | Ø 4.09 inch | Ø 11.02 inch | FA12-FA14-FA16 | Ø 1.18 inch | Ø 3.15 inch | ANSI B17.1 | 61955 lbf.in. | 1221 lbf.in. | |
| | | | | 8 | Ø 4.09 inch | Ø 11.02 inch | FA25 | | | | | | |



ISOMETRIC VIEW
1:10

AS PART OF CONTINUOUS PRODUCT DEVELOPMENT, ALL DETAILS SUBJECT TO CHANGE WITHOUT PRIOR NOTICE. FOR UP TO DATE DETAILS PLEASE VISIT www.rotork.com

| | | | | |
|--|-------------------------------------|------------|---|--|
| LOSSER - THE NETHERLANDS www.rotork.com | Document type DETAIL DRAWING | | Title AB1950G WITH A PR4 RH PLANETARY GEARBOX-PR4 | |
| | Dimensions in mm Scale 1:3 | | Drawing Number AB1950G-PR4 RH | |
| Created | NTS | 07/11/2013 | Rev A | |
| Checked | PRABU D | 11/11/2013 | Rev A | |
| Approved | | | Rev A | |

| Rev | CN | Revised | Approved | Date | Change Description |
|-----|----|---------|----------|------------|--------------------|
| A | | | | 11/11/2013 | FIRST ISSUE |