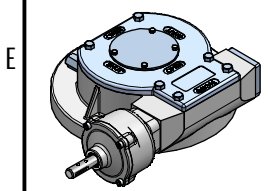
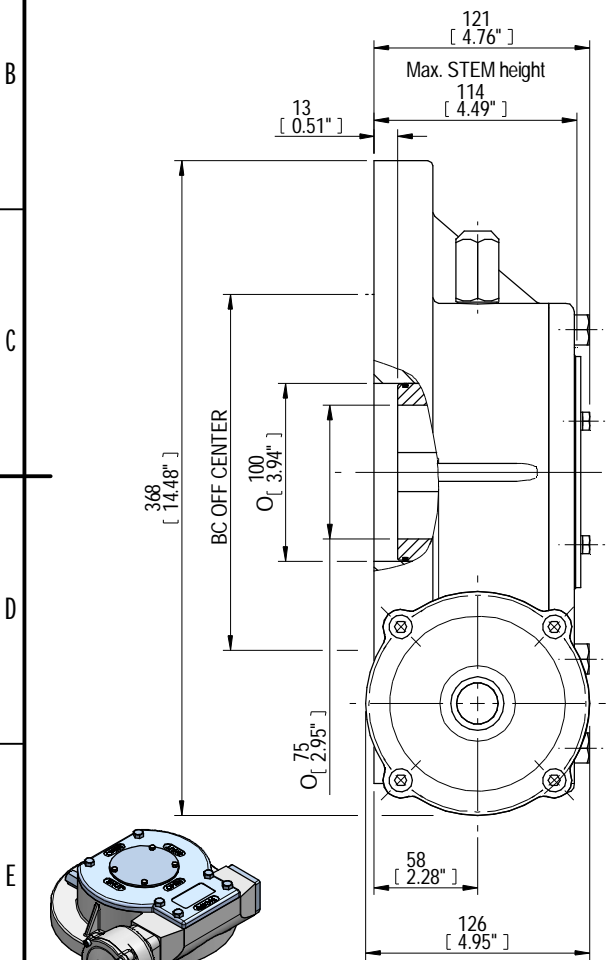
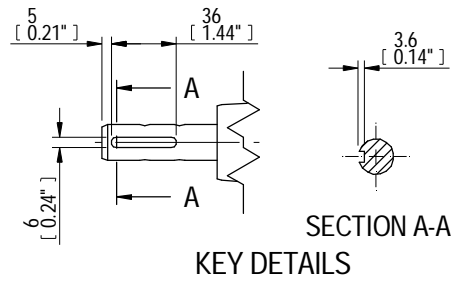
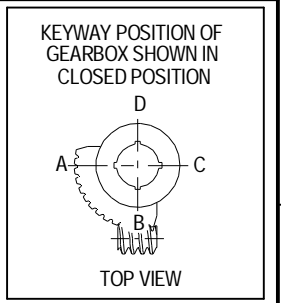
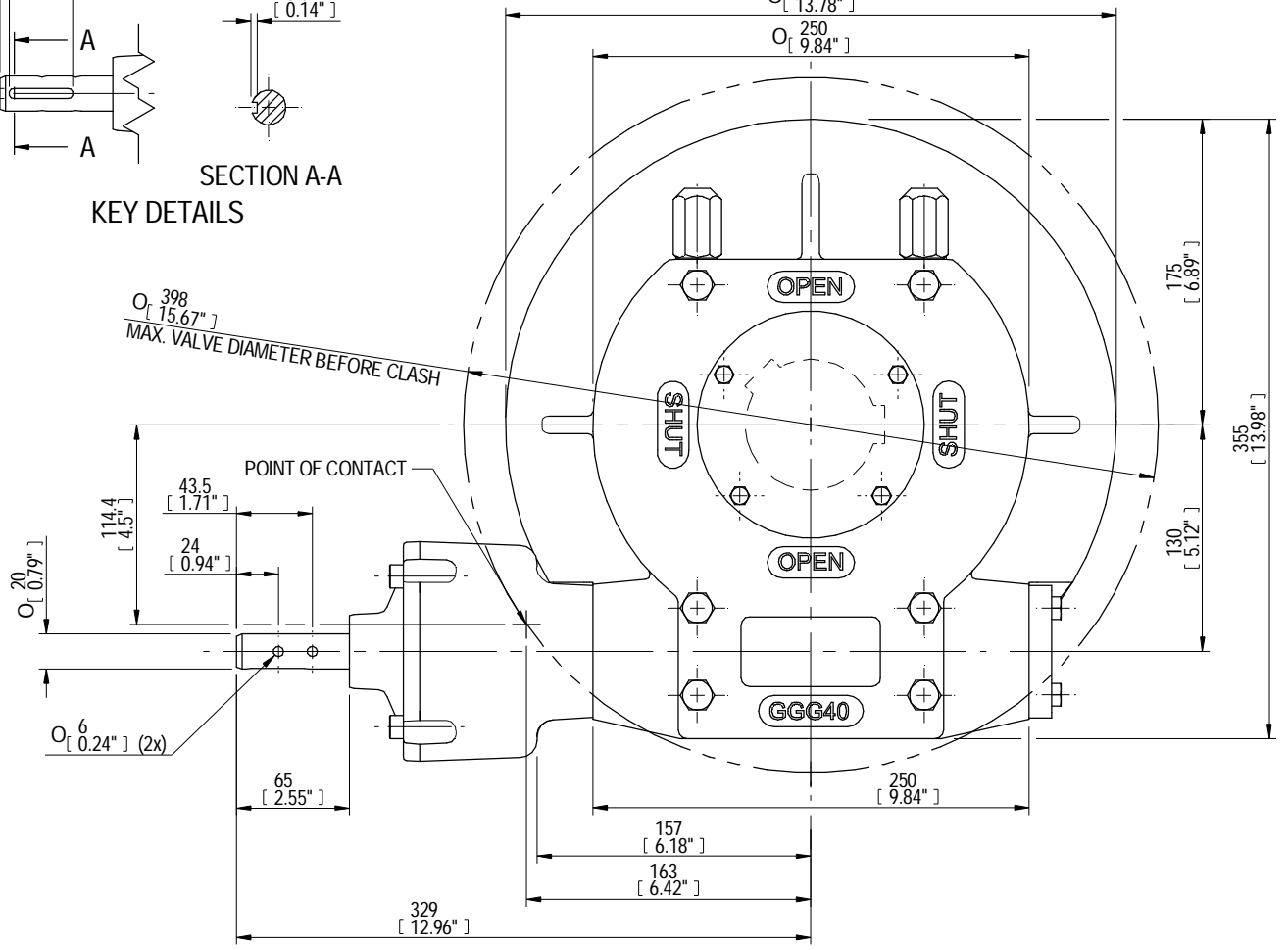


DESCRIPTION				MOUNTING HOLES - BOLT CIRCLE OFF CENTRES				BORE; STEM ACCEPTANCE WITH KEYWAY IN ACCORDING WITH STANDARD			TORQUE		
RATIO	URNS TO CLOSE	TRAVEL (1/4 TURN)	WEIGHT	NR of HOLES	MIN ENVELOP PCD - ØHOLE	MAX ENVELOP PCD + ØHOLE	ACCORDING TO ISO 5211 / MSS SP-101	MIN	MAX	STANDARD	OUTPUT	INPUT	MA
217:1	54.25	-5° TO 95°	52 kg	4	Ø 104 mm	Ø 340 mm	F12-F14-F16	Ø 16 mm	Ø 55 mm	DIN 6885-1	7000 Nm	106 Nm	66.0u 15%
				8	Ø 104 mm	Ø 340 mm	F25-F30						
			115 lbs	4	Ø 4.09 inch	Ø 13.39 inch	FA12-FA14-FA16	Ø 0.63 inch	Ø 2.05 inch	ANSI B17.1	61955 lbf.in.	1221 lbf.in.	
				8	Ø 4.09 inch	Ø 13.39 inch	FA25-FA30						



ISOMETRIC VIEW
1:10

Suitable for 240 series insert.



Rev	CN	Revised	Approved	Date	Change Description
A				11/11/2013	FIRST ISSUE

AS PART OF CONTINUOUS PRODUCT DEVELOPMENT, ALL DETAILS SUBJECT TO CHANGE WITHOUT PRIOR NOTICE. FOR UP TO DATE DETAILS PLEASE VISIT www.rotork.com

rotork Gears
LOSSER - THE NETHERLANDS
www.rotork.com

This drawing is confidential and is the property of Rotork Gears and must not be reproduced either wholly or partly. All rights in respect of patents, designs and copyrights are reserved. © 2013

Document type	DETAIL DRAWING		Title	AB1950G WITH A PR4 LB BU insert RH
	Dimensions in mm		PLANETARY GEARBOX-PR4	
	Scale 1:3		Drawing Number	AB1950G-PR4 LB BU insert RH
Created	NTS	06/11/2013	Rev	A
Checked	PRABU D	11/11/2013	Sheet	1 of 1
Approved			Size	A3