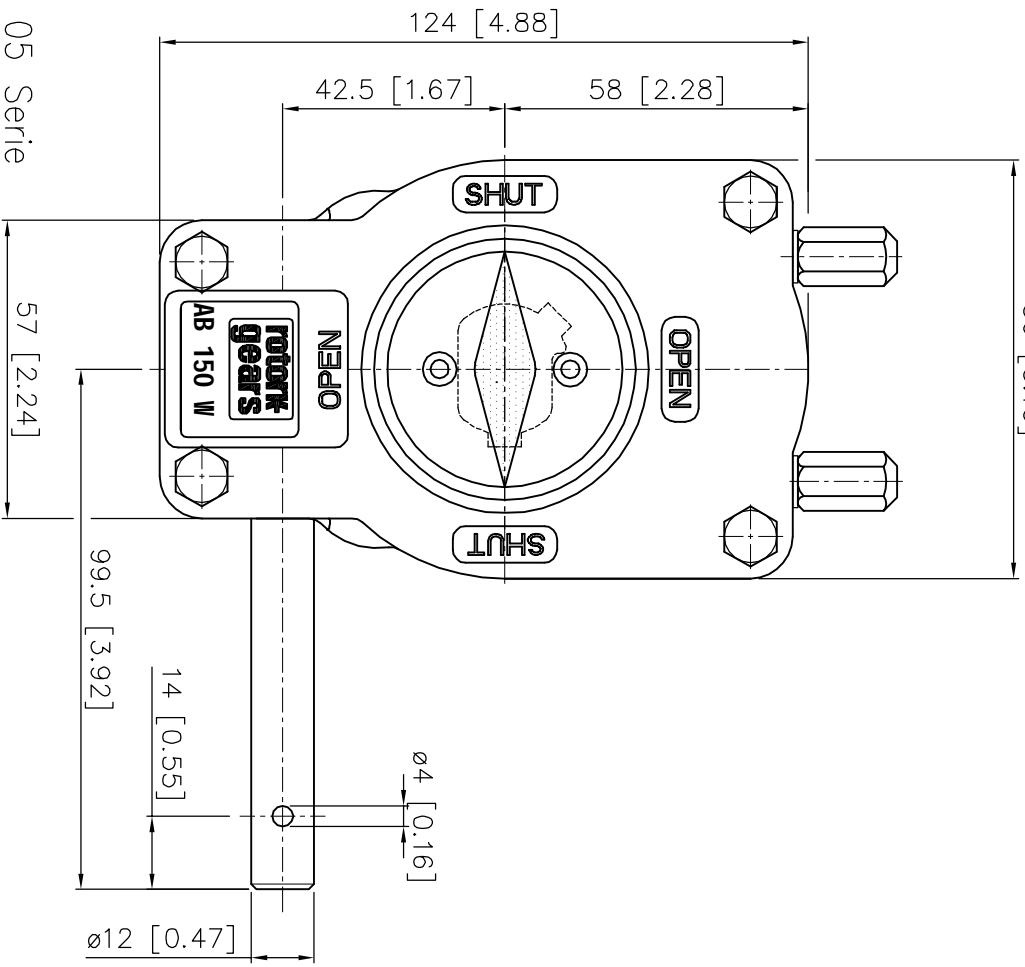
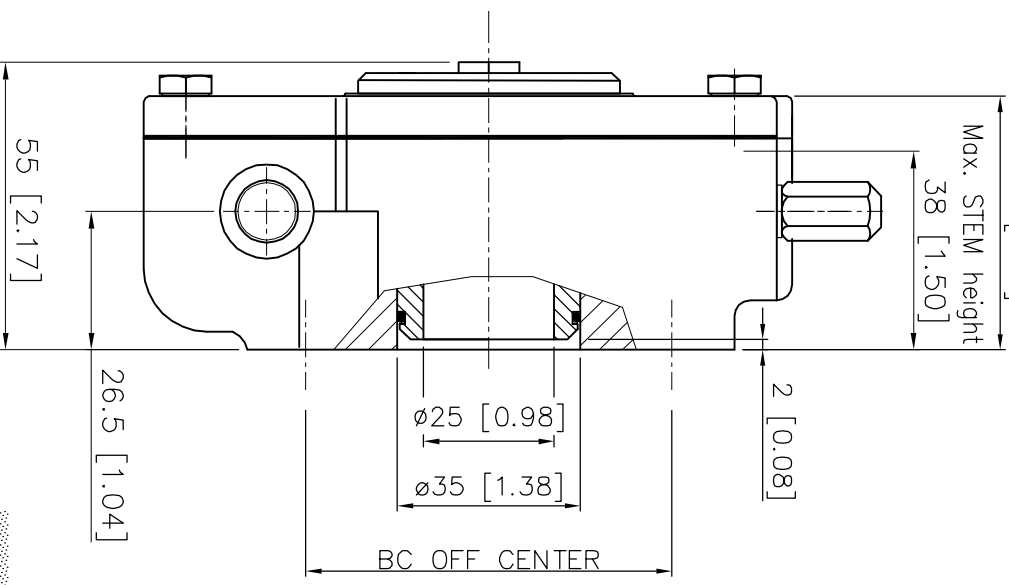


80 [3.15]



Max. STEM height  
diameter dependable  
48.5 [1.91]



Suitable for insert 05 Serie

**DESCRIPTION**

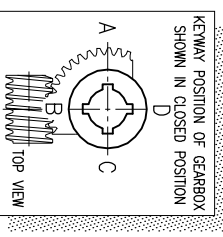
TRAVEL : -5° to 95° adjustable  
 RATIO : 40 : 1  
 TURNS TO CLOSE : 10  
 WEIGHT : 2.2 kg. (4.8 Lb) excl.handwheel

**MOUNTINGHOLES**

BOLT CIRCLE : min. ø42 [1.65]  
 (OFF CENTER) : max. ø70 [2.75]  
 acc. ISO 5211 : F04 - F05 - F07  
 BORE : min. ø8.4[0.33] max. ø15[0.59] #14[0.55]

**TORQUE**

max.OUTPUT : 150 Nm (1328 lbf.in.)  
 max.INPUT : 16 Nm (138 lbf.in.)  
 M.A. : 9.6 ±15%



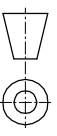
Dimensions in MM [inch]

**rotork gears**

Nijenhelderstraat 25  
72581 PV Losser  
The Netherlands

THIS DOCUMENT IS PROPERTY OF ROTORK GEARS. NEITHER THIS OR ITS CONTENT MAY BE COPIED OR USED IN ANY OTHER WAY PERMITTED.  
THIS DOCUMENT IS THE PROPERTY OF ROTORK GEARS. ANY REPRODUCTION OF THIS DOCUMENT SHALL CONSTITUTE A VIOLATION OF THE PATENT RIGHTS AND CONDITIONS.

# GEARBOX AB 150 W



Drawn : N.M

Date : 20-06-06

Dwg Nr.: D01W1-002

Rev.: 02