

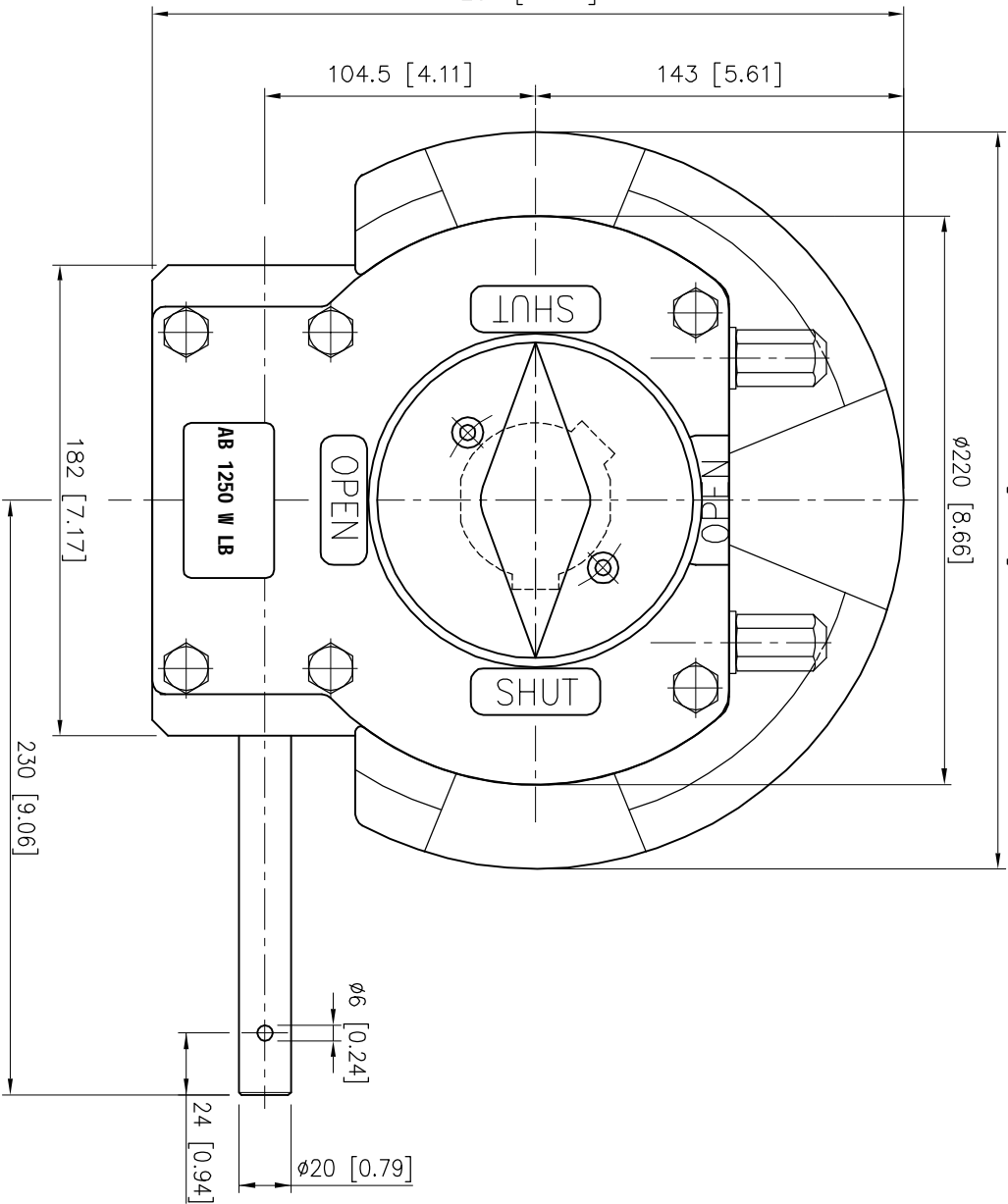
285 [11.22]

ø220 [8.66]

291 [11.44]

143 [5.61]

104.5 [4.11]



Max.STEM height
91 [3.58]

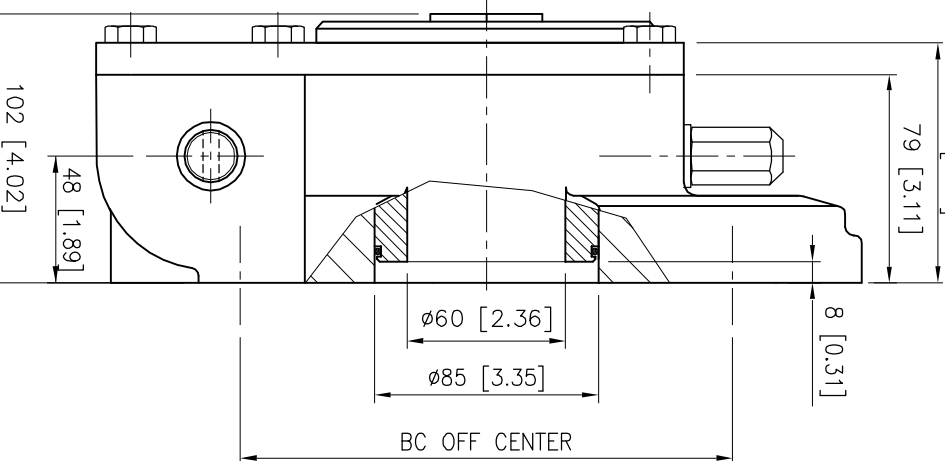
79 [3.11]

8 [0.31]

ø60 [2.36]

ø85 [3.35]

BC OFF CENTER



Suitable for 150 series insert

DESCRIPTION

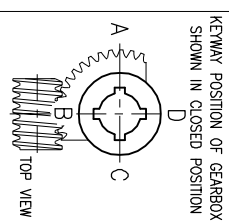
TRAVEL : -5° to 95° adjustable
RATIO : 55 : 1
TURNS TO CLOSE : 13.75
WEIGHT : 27.5kg.(60.6lb) excl.handwheel

MOUNTINGHOLES

BOLT CIRCLE : min. ø102 [4.02]
(OFF CENTER) max. ø254 [10]
acc. ISO 5211 : F10/12/14/16/25
BORE : min.ø16[0.63] max.ø44[1.77] #36[1.42]

TORQUE

max.OUTPUT : 3250 Nm (28765 lbf.in.)
max.INPUT : 171 Nm (1514 lbf.in.)
M.A. : 19 ±15%



Dimensions in MM [inch]

rotork gears

Nijenheidestraat 25
7581 PV Losser
The Netherlands

GEARBOX AB 1250 W LB

THIS DOCUMENT IS PROPERTY OF ROTORK GEARS. NEITHER THIS OR ITS CONTENT MAY BE COPIED OR USED IN ANY OTHER WAY PERMITTED BY THE INTERESTS OF ROTORK GEARS. ABOVE FRAME UP THIS DOCUMENT SHALL CONSTITUTE AN UNLAWFUL DEVIATION OF THE FOREGOING CONDITIONS



Drawn : S.B.

Date : 06-11-2009

Dwg.Nr.: 1250W LB INSERT

Rev.: 01