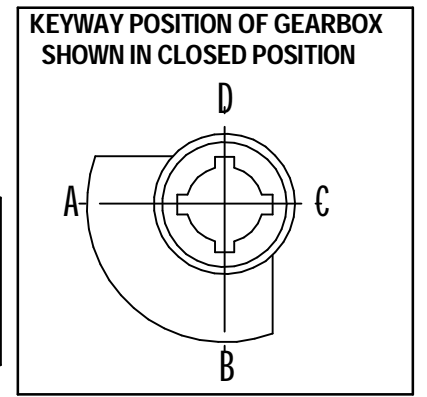


DESCRIPTION:
 TRAVEL : -5° TO 95° adjustable
 RATIO : 226 : 1
 TURNS TO CLOSE : 57.5
 WEIGHT : 28.5 kg. (63 lb.) Excl. handwheel

MOUNTING HOLES :
 BOLT CIRCLE : min. Ø 102 [4.02]
 (OFF CENTER) max. Ø 165 [6.40]
 acc. ISO 5211 : F10-F12-F14-F16
 MIN. bore Quadrant : Ø 20 [0.79]
 MAX. bore Quadrant : ∇ 50 [1.97] or Ø 65 [2.56]

TORQUE :
 max. OUTPUT : 3250 Nm (28765 lbf.in.)
 max. INPUT : 53 Nm (469 lbf.in.)
 MA : 61.3 ± 15%



DIMENSIONS IN MM[INCH]

ROTORK GEARS

GEARBOX AB1250N-PR4

DRAWN:- Robbin Goosen CHECKED:- Henk Hoff
 DWG:- AB1250N-PR4 REV:01