

- NOTE:
1. GEARBOX RATIOS: 3, 4 & 6:1.
 2. GEARBOX BASEPLATE: F16/FA16 & F25/FA25.
 3. DIMENSIONS WITH "*" INDICATE COVER REMOVAL ALLOWANCE
 4. THE INTERFACE PROVIDED FOR MOUNTING THE ACTUATOR OR SECOND STAGE GEARBOX ONTO THE VALVE SHOULD CONFORM TO GOOD ENGINEERING PRACTICES, ENSURING ADEQUATELY TOLERANCED LIMITS FOR PARALLELISM, PERPENDICULARITY AND CONCENTRICITY.
 5. ROTORK CANNOT BE HELD LIABLE FOR DAMAGE TO OUR EQUIPMENT CAUSED BY EXCESSIVE LOADING FROM COVER TUBES, HANDWHEEL AND HAND LEVER.

PARAMETER	VALUE	DESCRIPTION
DRAWING TYPE	A	INSTALLATION DRAWING
ACTUATOR	6	CK(R)C250/500
GEARBOX1	B8	IB8
GEARBOX2	NO	NO G.B.2
TERMINAL COVER	B	3 COND
MECHANISM / MOTOR	0	STD. MECH/LARGE MOT.
HANDWHEEL / REAR / FRONT	0	STD.H.W./STD.REAR/STD.FRNT.
ORIENTATION	0	STD.ORIENT.

CK range

Drawn TAMIL 22-02-2019

Checked BHARAT 22-02-2019

Approved JOSE 22-02-2019

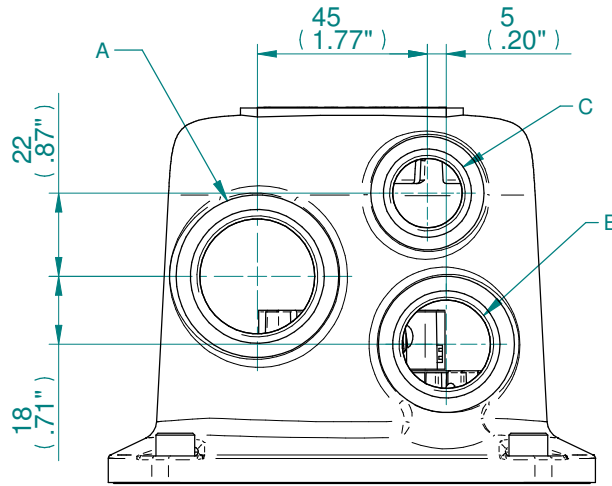
Title DIMENSIONAL DRAWING, CKC250/500 & CKRC250/500, IB8, 3 CONDUIT ENTRIES, LARGE MOTOR, STANDARD ORIENTATION.

This drawing and the information it contains are property of Rotork Controls Limited, and they will not be reproduced or disclosed, in whole or in part, without the prior written consent of Rotork.

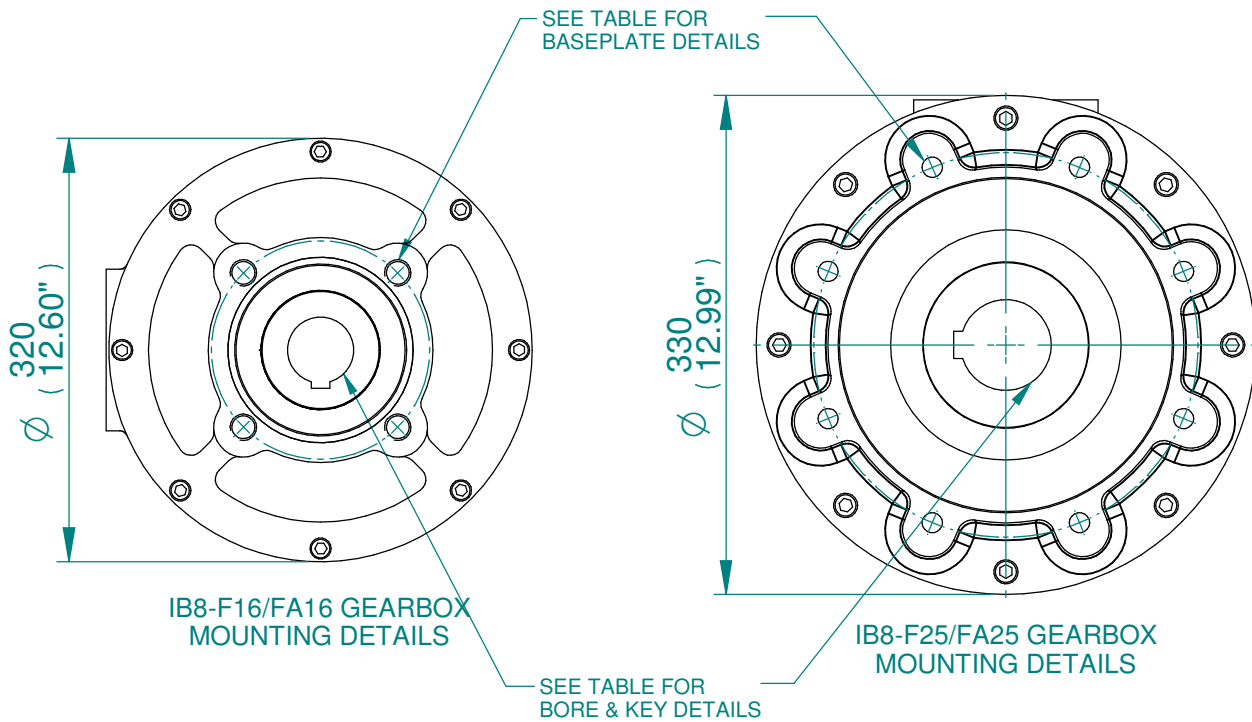
A4 Doc Number Ver No Scale Sheet No

A6B8N0B000X 1 NTS 1 of 2

CONDUIT ENTRY HOLE		
Hole	Metric	NPT
A	M32	1 ¼"
B	M25	¾"
C	M20	¾"



CONDUIT ENTRIES



IB8-F16/FA16 GEARBOX MOUNTING DETAILS

IB8-F25/FA25 GEARBOX MOUNTING DETAILS

MAX. STEM SCREW ACCEPTANCE DIA
73(2.750")

STD	MAX BORE SQ KEY		MAX BORE RECTANGULAR KEY	
	BORE	KEY	BORE	KEY
BS4235	-	-	68.0	20x12
BS46	2.500"	5/8" SQ	2.625"	3/4"x1/2"
ANSI B17.1	2.500"	5/8" SQ	2.625"	5/8"x7/16"

BASEPLATE DETAILS			
TYPE	BASEPLATE	SPIGOT DIA.	HOLE DETAILS (45° OFF CENTRES)
ISO F16	STANDARD	Ø129.95-0.05	4 HOLES M20X25 (0.98") DEEP
		(Ø5.116"-0.002")	ON Ø165.0 (Ø6.50") P.C.
FA16	STANDARD	Ø126.87-0.25	4 HOLES 3/4"UNCX25 (0.98") DEEP
		(Ø4.995"-0.010")	ON Ø165.1 (Ø6.50") P.C.
TYPE	BASEPLATE	SPIGOT DIA.	HOLE DETAILS (22.5° OFF CENTRES)
ISO F25	STANDARD	Ø199.95-0.05	8 HOLES M16X20 (0.79") DEEP
		(Ø7.872"-0.002")	ON Ø254.0 (Ø10.00") P.C.
FA25	STANDARD	Ø152.25-0.05	8 HOLES 5/8"UNCX20 (0.79") DEEP
		(Ø5.994"-0.002")	ON Ø254.4 (Ø10.00") P.C.

CK range
 Drawn: TAMIL 22-02-2019
 Checked: BHARAT 22-02-2019
 Approved: JOSE 22-02-2019

Title DIMENSIONAL DRAWING, CKC250/500 & CKRC250/500, IB8, 3 CONDUIT ENTRIES, LARGE MOTOR, STANDARD ORIENTATION.
This drawing and the information it contains are property of Rotork Controls Limited, and they will not be reproduced or disclosed, in whole or in part, without the prior written consent of Rotork.

A4	Doc Number	Ver No	Scale	Sheet No
	A6B8N0B000X	1	NTS	2 of 2