

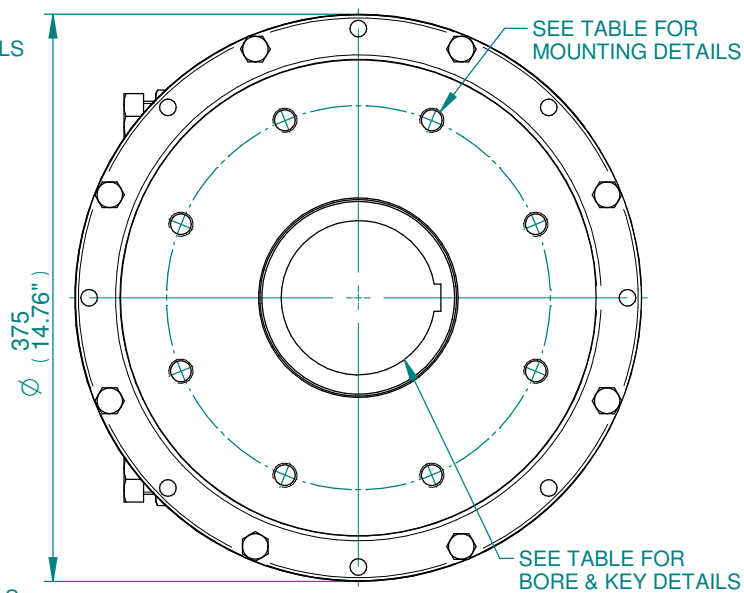
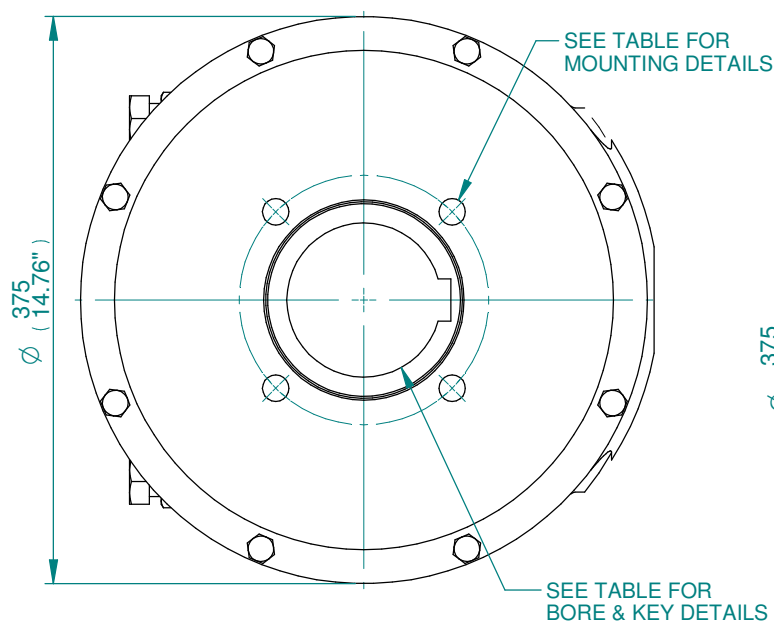
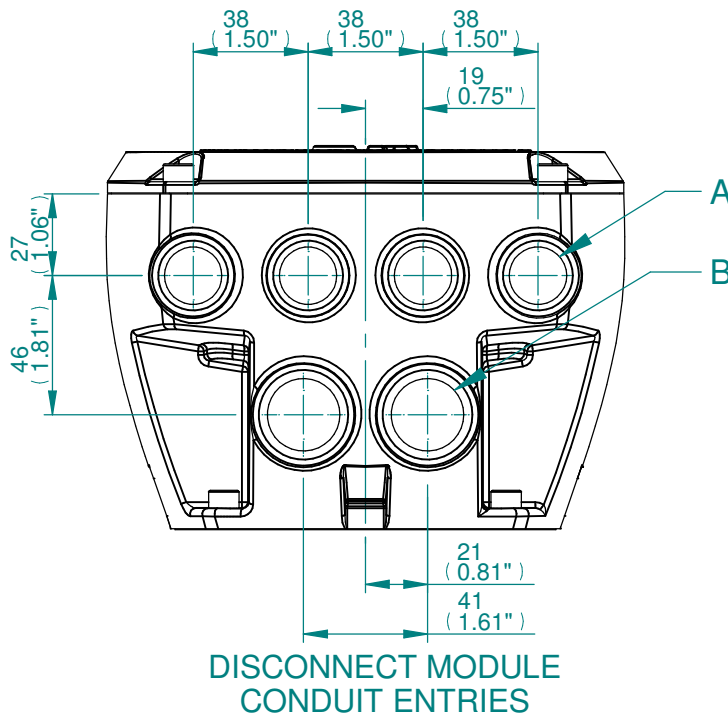
- NOTE:
1. GEARBOX RATIOS: 140,210,280:1.
 2. GEARBOX BASEPLATE: F16/FA16, F25/FA25 & F30/FA30.
 3. DIMENSIONS WITH "" INDICATE COVER REMOVAL ALLOWANCE
 4. THE INTERFACE PROVIDED FOR MOUNTING THE ACTUATOR OR SECOND STAGE GEARBOX ONTO THE VALVE SHOULD CONFORM TO GOOD ENGINEERING PRACTICES, ENSURING ADEQUATELY TOLERANCED LIMITS FOR PARALLELISM, PERPENDICULARITY AND CONCENTRICITY.
 5. ROTORK CANNOT BE HELD LIABLE FOR DAMAGE TO OUR EQUIPMENT CAUSED BY EXCESSIVE LOADING FROM COVER TUBES, HANDWHEEL AND HAND LEVER.

| PARAMETER | VALUE | DESCRIPTION |
|--------------------------|-------|-----------------------------|
| DRAWING TYPE | A | INSTALLATION DRAWING |
| ACTUATOR | 5 | CK(R)C120 |
| GEARBOX1 | W6 | IW6 |
| GEARBOX2 | RL | LOW RATIO |
| CENTORNIK / TERMINAL | E | LONG. DISC |
| MECHANISM / MOTOR | S | STD.MECH/SMALL MOT. |
| HANDWHEEL / REAR / FRONT | 0 | STD.H.W./STD.REAR/STD.FRNT. |
| ORIENTATION | 0 | STD.ORIENT. |

| | | | | | |
|-----------------|----------|--------|----------|--------------|--|
| CK range | Drawn | TAMIL | 20-11-18 | Title | DIMENSIONAL DRAWING, CKC120 & CKRC120, IW6, LOW RATIO, LONG DISCONNECT MODULE, SMALL MOTOR, STANDARD ORIENTATION |
| | Checked | BHARAT | 20-11-18 | | |
| | Approved | JOSE | 20-11-18 | | |

| | | | | |
|-----------|--------------------|---------------|--------------|-----------------|
| A4 | Doc Number | Ver No | Scale | Sheet No |
| | A5W6RLES00X | 1 | NTS | 1 of 2 |

| CONDUIT ENTRY HOLE | | |
|--------------------|--------|-------|
| Hole | Metric | NPT |
| A | 4x M20 | 4x ¾" |
| B | 2x M25 | 2x ¾" |



| BASEPLATE | X | Y | Z |
|--------------------|----|-----|-----|
| STANDARD THICKNESS | 70 | 113 | 139 |
| FILLED THICKNESS | 70 | 113 | 139 |
| WAFER THICKNESS | 93 | 136 | 162 |

| STD | MAX BORE SQ KEY | | MAX BORE RECTANGULAR KEY | |
|------------|-----------------|--------|--------------------------|---------|
| | BORE | KEY | BORE | KEY |
| BS4235 | - | - | 102 | 28X16 |
| BS46 | 3.625" | 1"SQ | 3.75" | 1"X3/4" |
| ANSI B17.1 | 3.75" | 7/8"SQ | 3.875" | 1"X3/4" |

| BASEPLATE DETAILS | | |
|-------------------|----------------|--|
| TYPE | BASEPLATE | HOLE DETAILS (45° OFF CENTRES) |
| ISO F16 | STANDARD | 4 HOLES M20X20 (0.79") DEEP ON Ø165.0 (Ø6.50") P.C. |
| | | 4 HOLES 3/4"UNCX20 (0.79") DEEP ON Ø165.0 (Ø6.50") P.C. |
| FA16 | STANDARD | 8 HOLES M16X16 (0.63") DEEP ON Ø254.00 (Ø10.00") P.C. |
| | | 8 HOLES 5/8"UNCX16 (0.63") DEEP ON Ø254.00 (Ø10.00") P.C. |
| ISO F25 | STANDARD | 8 HOLES M20X30 (1.18") DEEP ON Ø298.00 (Ø11.73") P.C. |
| | | 8 HOLES 3/4"UNCX30 (1.18") DEEP ON Ø298.00 (Ø11.73") P.C. |
| FA25 | STANDARD | 8 HOLES M20X30 (1.18") DEEP ON Ø298.00 (Ø11.73") P.C. |
| | | 8 HOLES 3/4"UNCX30 (1.18") DEEP ON Ø298.00 (Ø11.73") P.C. |
| ISO F30 | FILLED & WAFER | 8 HOLES M20X30 (1.18") DEEP ON Ø298.00 (Ø11.73") P.C. |
| | | 8 HOLES 3/4"UNCX30 (1.18") DEEP ON Ø298.00 (Ø11.73") P.C. |
| FA30 | FILLED & WAFER | 8 HOLES M20X30 (1.18") DEEP ON Ø298.00 (Ø11.73") P.C. |
| | | 8 HOLES 3/4"UNCX30 (1.18") DEEP ON Ø298.00 (Ø11.73") P.C. |

CK range

| | | |
|----------|--------|----------|
| Drawn | TAMIL | 20-11-18 |
| Checked | BHARAT | 20-11-18 |
| Approved | JOSE | 20-11-18 |

Title DIMENSIONAL DRAWING, CKC120 & CKRC120, IW6, LOW RATIO, LONG DISCONNECT MODULE, SMALL MOTOR, STANDARD ORIENTATION

This drawing and the information it contains are property of Rotork Controls Limited, and they will not be reproduced or disclosed, in whole or in part, without the prior written consent of Rotork.

| | | | | |
|-----------|--------------------|---------------|--------------|-----------------|
| A4 | Doc Number | Ver No | Scale | Sheet No |
| | A5W6RLES00X | 1 | NTS | 2 of 2 |