

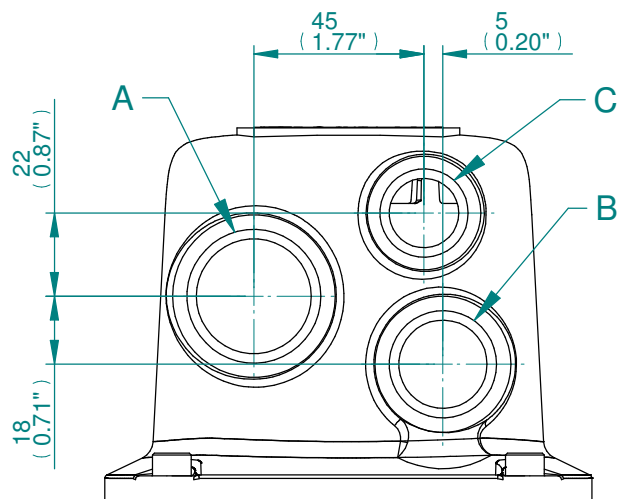
- NOTE:**
1. GEARBOX RATIOS : 40/70:1
  2. GEARBOX BASEPLATE: F14/FA14, F16/FA16 & F25/FA25.
  3. DIMENSIONS WITH "\*" INDICATE COVER REMOVAL ALLOWANCE
  4. THE INTERFACE PROVIDED FOR MOUNTING THE ACTUATOR OR SECOND STAGE GEARBOX ONTO THE VALVE SHOULD CONFORM TO GOOD ENGINEERING PRACTICES, ENSURING ADEQUATELY TOLERANCED LIMITS FOR PARALLELISM, PERPENDICULARITY AND CONCENTRICITY.
  5. ROTORK CANNOT BE HELD LIABLE FOR DAMAGE TO OUR EQUIPMENT CAUSED BY EXCESSIVE LOADING FROM COVER TUBES, HANDWHEEL AND HAND LEVER.

PARAMETER	VALUE	DESCRIPTION
DRAWING TYPE	A	INSTALLATION DRAWING
ACTUATOR	5	CK(R)C120
GEARBOX1	W5	IW5
GEARBOX2	NO	NO G.B.2
CENTRONIK / TERMINAL	B	CTK/3 COND
MECHANISM / MOTOR	S	STD MECH/SMALL MOT.
HANDWHEEL / REAR / FRONT	0	STD.H.W./STD.REAR/STD.FRNT.
ORIENTATION	0	STD.ORIENT.

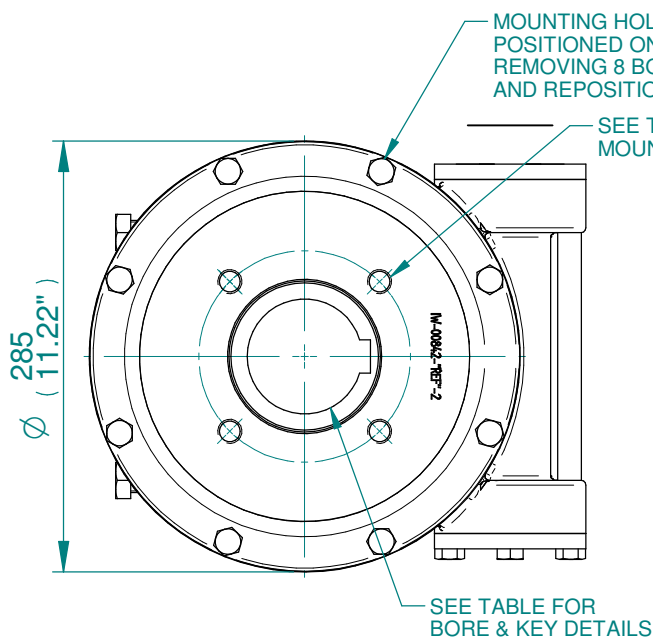
<b>CK range</b>	Drawn	TAMIL	31-07-18	<b>Title</b>	DIMENSIONAL DRAWING, CKC120 & CKRC120, IW5, CENTRONIK / 3 CONDUIT ENTRIES, SMALL MOTOR, STANDARD ORIENTATION
	Checked	BHARAT	31-07-18		
	Approved	JOSE	31-07-18		

<b>A4</b>	<b>Doc Number</b>	<b>Ver No</b>	<b>Scale</b>	<b>Sheet No</b>
	<b>A5W5N0BS00X</b>	<b>1</b>	<b>NTS</b>	<b>1 of 2</b>

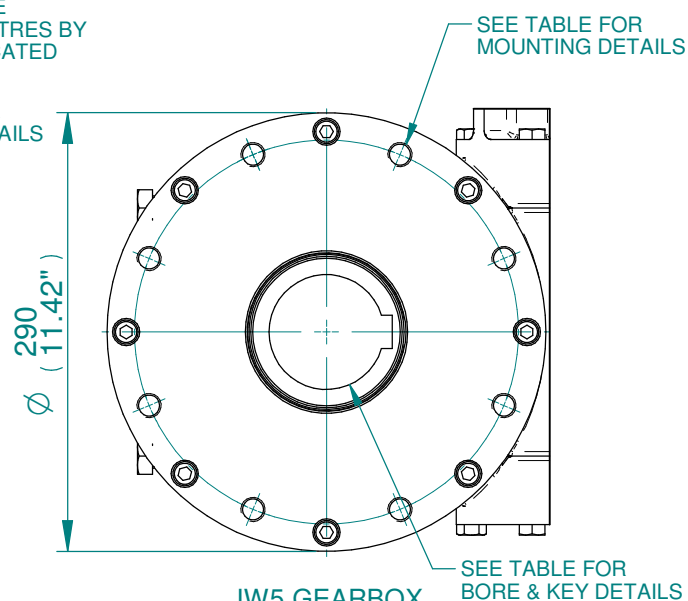
CONDUIT ENTRY HOLE		
Hole	Metric	NPT
A	M32	1 1/4"
B	M25	3/4"
C	M20	3/4"



CONDUIT ENTRIES



IW5 GEARBOX MOUNTING DETAILS FOR F14/FA14 AND F16/FA16



IW5 GEARBOX MOUNTING DETAILS FOR F25/FA25

BASEPLATE	X	Y	Z
STANDARD THICKNESS	65	110	128
FILLED THICKNESS	75	120	138
WAFER THICKNESS	101	146	164

STD	MAX BORE SQ KEY		MAX BORE RECTANGULAR KEY	
	BORE	KEY	BORE	KEY
BS4235	-	-	76.0	22X14
BS46	2.75"	3/4" SQ	3.00"	3/4"X1/2"
ANSI B17.1	2.75"	5/8" SQ	3.00"	3/4"X1/2"

BASEPLATE DETAILS		
TYPE	BASEPLATE	HOLE DETAILS (45° OFF CENTRES)
ISO F14	STANDARD	4 HOLES M16X20 (0.79") DEEP ON Ø140.0 (Ø5.51") P.C.
FA14		4 HOLES 5/8"UNCx20 (0.79") DEEP ON Ø139.7 (Ø5.50") P.C.
ISO F16		4 HOLES M20X20 (0.79") DEEP ON Ø165.0 (Ø6.50") P.C.
FA16		4 HOLES 3/4"UNCx20 (0.79") DEEP ON Ø165.0 (Ø6.50") P.C.
TYPE	BASEPLATE	HOLE DETAILS (22.5° OFF CENTRES)
ISO F25	FILLED AND WAFER	8 HOLES M16X16 (0.63") DEEP ON Ø254.0 (Ø10.00") P.C.
FA25		8 HOLES 5/8"UNCx16 (0.63") DEEP ON Ø254.0 (Ø10.00") P.C.



Drawn	TAMIL	31-07-18
Checked	BHARAT	31-07-18
Approved	JOSE	31-07-18

**Title** DIMENSIONAL DRAWING, CKC120 & CKRC120, IW5, CENTRONIK / 3 CONDUIT ENTRIES, SMALL MOTOR, STANDARD ORIENTATION

<b>A4</b>	<b>Doc Number</b>	<b>Ver No</b>	<b>Scale</b>	<b>Sheet No</b>
	<b>A5W5N0BS00X</b>	<b>1</b>	<b>NTS</b>	<b>2 of 2</b>