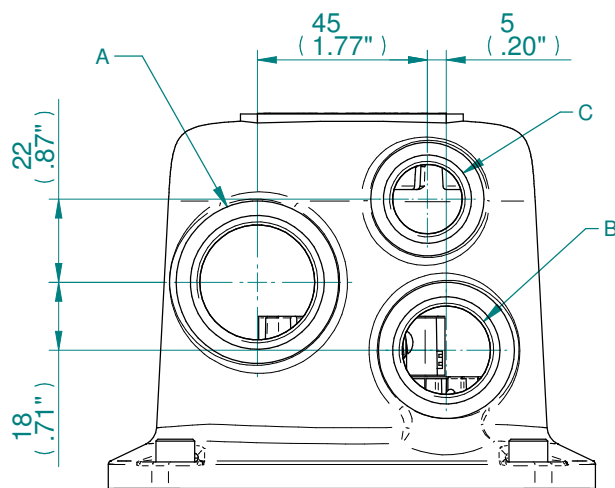
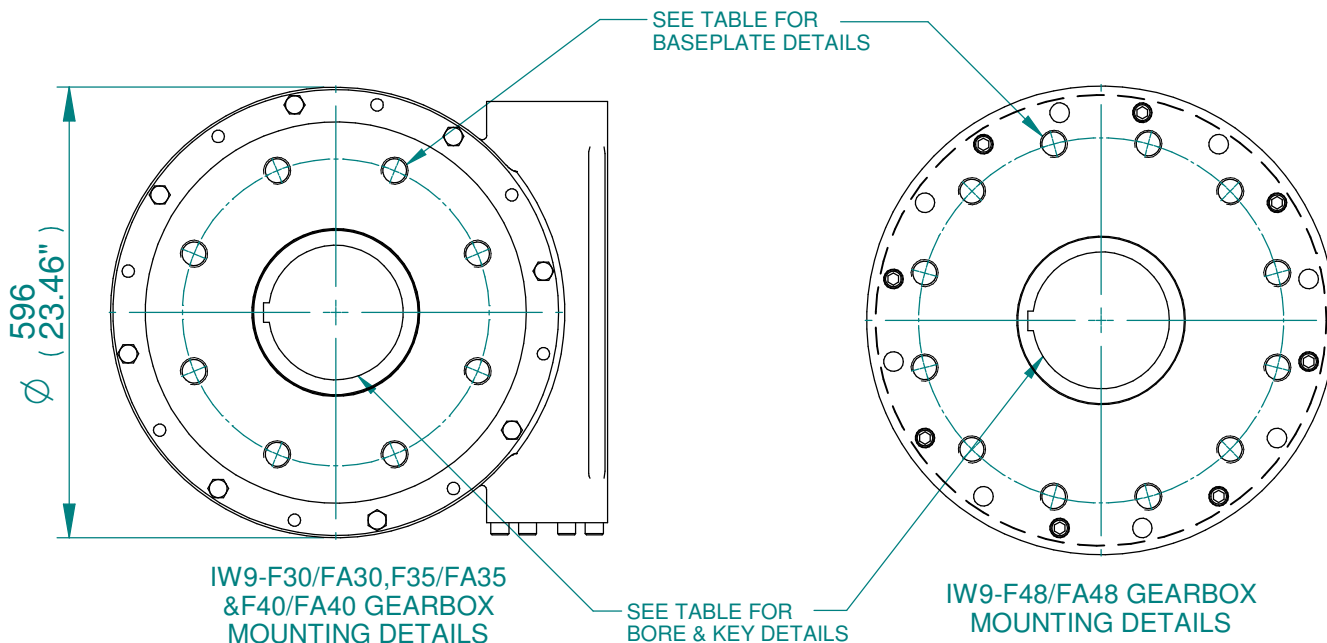


CONDUIT ENTRY HOLE		
Hole	Metric	NPT
A	M32	1 1/4"
B	M25	3/4"
C	M20	3/4"



CONDUIT ENTRIES



IW9-F30/FA30, F35/FA35 & F40/FA40 GEARBOX MOUNTING DETAILS

IW9-F48/FA48 GEARBOX MOUNTING DETAILS

BASEPLATE	X	Y	Z
STANDARD THICKNESS	100	168	201
FILLED THICKNESS	100	168	201
WAFER THICKNESS	127	195	228

STD	MAX BORE SQ KEY		MAX BORE RECTANGULAR KEY	
	BORE	KEY	BORE	KEY
BS4235	-	-	178	45X25
BS46	-	-	6.75"	1.75" x 1.25"
ANSI B17.1	6.50"	1.1/2" SQ.	6.50"	1.5" x 1"

BASEPLATE DETAILS			
TYPE	BASEPLATE	HOLE DETAILS (22.5° OFF CENTRES)	
ISO F30	STANDARD & FILLED	8 HOLES M20X25 (1.18") DEEP ON Ø298.0 (Ø11.73") P.C.	
FA30		8 HOLES 3/4"UNCX25 (1.18") DEEP ON Ø298.0 (Ø11.73") P.C.	
ISO F35		8 HOLES M30X36 (1.42") DEEP ON Ø356.0 (Ø14.02") P.C.	
FA35		8 HOLES 1"UNCX36 (1.42") DEEP ON Ø355.6 (Ø14.00") P.C.	
ISO F40		8 HOLES M36X36 (1.42") DEEP ON Ø406.0 (Ø15.98") P.C.	
FA40		8 HOLES 1.25"UNCX36 (1.42") DEEP ON Ø406.4 (Ø16.00") P.C.	
TYPE		BASEPLATE	HOLE DETAILS (15° OFF CENTRES)
ISO F48		WAFER	12 HOLES M36X36 (1.42") DEEP ON Ø483.00 (Ø19.02") P.C.
FA48	12 HOLES 1.25"UNCX36 (1.42") DEEP ON Ø482.6 (Ø19.00") P.C.		



Drawn	HAABI	14-11-19
Checked	TAMIL	14-11-19
Approved	JOSE	14-11-19

Title DIMENSIONAL DRAWING, CKC30/60 & CKR30/60, IW9, HIGH RATIO, 3 CONDUIT ENTRIES, LARGE MOTOR, STANDARD ORIENTATION.

A4	Doc Number	Ver No	Scale	Sheet No
	A4W9RHB000X	1	NTS	2 of 2