

- NOTE:
1. GEARBOX RATIOS: 2, 3, 4 & 6:1.
 2. GEARBOX BASEPLATE: F14 & FA14 AND F16 & FA16.
 3. DIMENSIONS WITH "*" INDICATE COVER REMOVAL ALLOWANCE
 4. THE INTERFACE PROVIDED FOR MOUNTING THE ACTUATOR OR SECOND STAGE GEARBOX ONTO THE VALVE SHOULD CONFORM TO GOOD ENGINEERING PRACTICES, ENSURING ADEQUATELY TOLERANCED LIMITS FOR PARALLELISM, PERPENDICULARITY AND CONCENTRICITY.
 5. ROTORK CANNOT BE HELD LIABLE FOR DAMAGE TO OUR EQUIPMENT CAUSED BY EXCESSIVE LOADING FROM COVER TUBES, HANDWHEEL AND HAND LEVER.

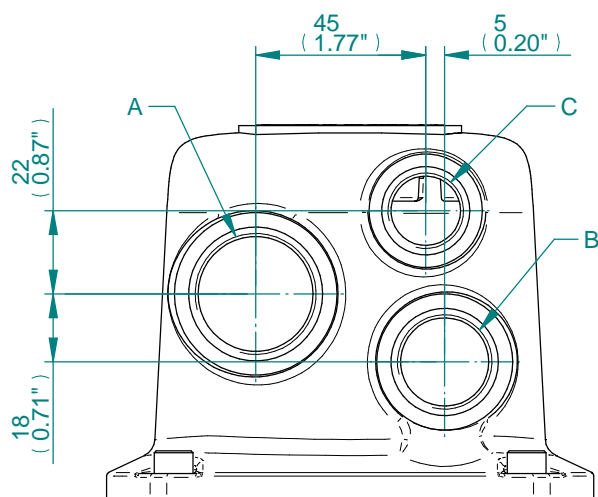
PARAMETER	VALUE	DESCRIPTION
DRAWING TYPE	A	INSTALLATION DRAWING
ACTUATOR	4	CK(R)C30/60
GEARBOX1	B5	IB5
GEARBOX2	N0	NO G.B.2
CENTORNIK / TERMINAL	B	CTK /3 COND
MECHANISM / MOTOR	A	AID / LARGE MOT.
HANDWHEEL / REAR / FRONT	0	STD.H.W./STD.REAR/STD.FRNT.
ORIENTATION	0	STD.ORIENT.

CK range	Drawn	TAMIL	15-12-17
	Checked	BHARAT	15-12-17
	Approved	JOSE	15-12-17

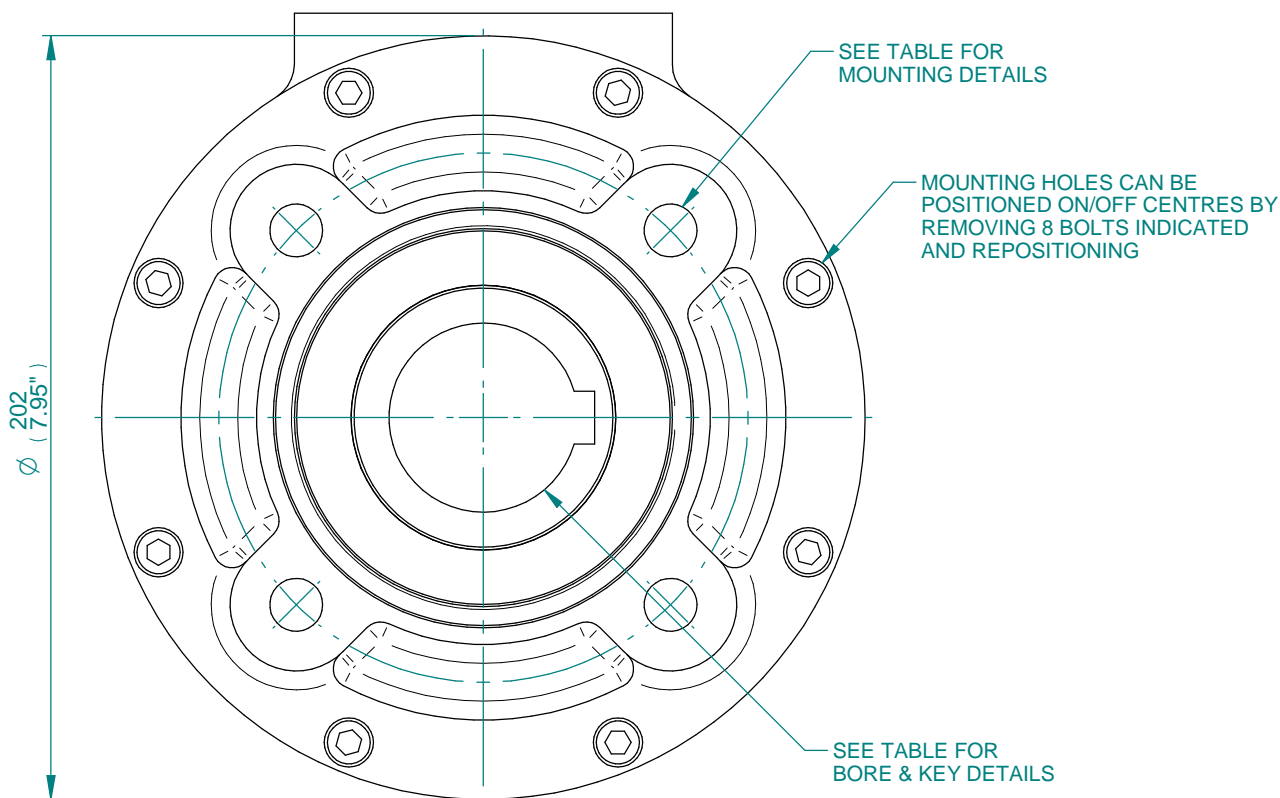
Title	DIMENSIONAL DRAWING, CKC30/60 & CKRC30/60, IB5, CENTRONIK / 3 CONDUIT ENTRIES, AID / LARGE MOTOR, STANDARD ORIENTATION
--------------	--

A4	Doc Number	Ver No	Scale	Sheet No
	A4B5N0BA00X	1	NTS	1 of 2

CONDUIT ENTRY HOLE		
Hole	Metric	NPT
A	M32	1 1/4"
B	M25	3/4"
C	M20	3/4"



CONDUIT ENTRIES



IB5 GEARBOX MOUNTING DETAILS

MAX. STEM SCREW ACCEPTANCE DIA
55 (2.125")

STD	MAX BORE SQ KEY		MAX BORE RECTANGULAR KEY	
	BORE	KEY	BORE	KEY
BS4235	-	-	52.0	16X10
BS46	1.875"	1/2" SQ	2.000"	1/2"x5/16"
ANSI B17.1	1.875"	1/2" SQ	2.000"	1/2"x3/8"

BASEPLATE DETAILS		
TYPE	BASEPLATE	HOLE DETAILS (45° OFF CENTRES)
ISO F14	STANDARD	4 HOLES M16x20 (0.79") DEEP ON Ø140.0 (Ø5.51") P.C.
FA14		4 HOLES 5/8"UNCx20 (0.79") DEEP ON Ø139.7 (Ø5.50") P.C.
ISO F16		4 HOLES M20x25 (0.98") DEEP ON Ø165.0 (Ø6.50") P.C.
FA16		4 HOLES 3/4" UNCx25 (0.98") DEEP ON Ø165.0 (Ø6.50") P.C.
		ON Ø165.0 (Ø6.50") P.C.

CK range

Drawn	TAMIL	15-12-17
Checked	BHARAT	15-12-17
Approved	JOSE	15-12-17

Title DIMENSIONAL DRAWING, CKC30/60 & CKRC30/60, IB5, CENTRONIK / 3 CONDUIT ENTRIES, AID / LARGE MOTOR, STANDARD ORIENTATION

This drawing and the information it contains are property of Rotork Controls Limited, and they will not be reproduced or disclosed, in whole or in part, without the prior written consent of Rotork.

A4	Doc Number	Ver No	Scale	Sheet No
	A4B5N0BA00X	1	NTS	2 of 2