

- NOTE:
1. GEAR BOX RATIO : 38:1
 2. GEAR BOX BASEPLATE : F10/FA10, F12/FA12, F14/FA14 & F16/FA16.
 3. DIMENSIONS WITH "*" INDICATE COVER REMOVAL ALLOWANCE
 4. THE INTERFACE PROVIDED FOR MOUNTING THE ACTUATOR OR SECOND STAGE GEARBOX ONTO THE VALVE SHOULD CONFORM TO GOOD ENGINEERING PRACTICES, ENSURING ADEQUATELY TOLERANCED LIMITS FOR PARALLELISM, PERPENDICULARITY AND CONCENTRICITY.
 5. ROTORK CANNOT BE HELD LIABLE FOR DAMAGE TO OUR EQUIPMENT CAUSED BY EXCESSIVE LOADING FROM COVER TUBES, HANDWHEEL AND HAND LEVER.

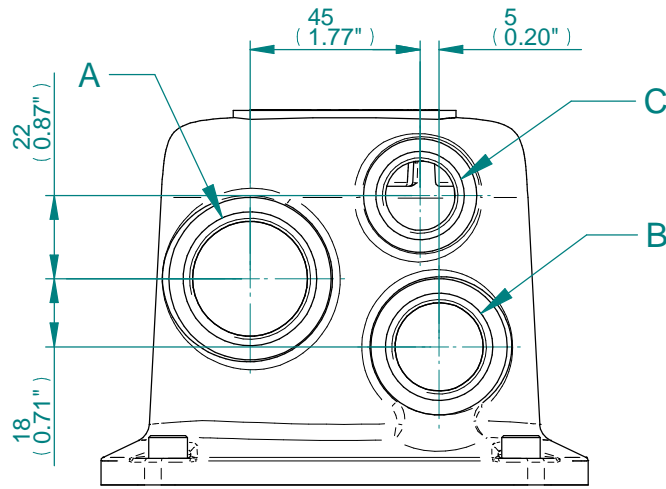
PARAMETER	VALUE	DESCRIPTION
DRAWING TYPE	A	INSTALLATION DRAWING
ACTUATOR	4	CK(R)C30/60
GEARBOX1	A8	AB880
GEARBOX2	N0	NO G.B.2
CENTRONIK / TERMINAL	B	CTK / 3 COND.
MECHANISM / MOTOR	S	STD.MECH/SMALL MOT.
HANDWHEEL / REAR / FRONT	0	STD.H.W./STD.REAR./STD.FRNT.
ORIENTATION	0	STD. ORIENT.

CK range	Drawn	TAMIL	14-11-17
	Checked	BHARAT	14-11-17
	Approved	JOSE	14-11-17

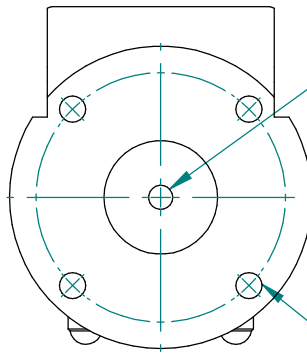
Title DIMENSIONAL DRAWING, CKC30/60 & CKRC30/60, AB880, CENTRONIK / 3 CONDUIT ENTRIES, SMALL MOTOR, STANDARD ORIENTATION.

A4	Doc Number	Ver No	Scale	Sheet No
	A4A8N0BS00X	1	NTS	1 of 2

CONDUIT ENTRY HOLE		
Hole	Metric	NPT
A	M32	1 1/4"
B	M25	3/4"
C	M20	3/4"



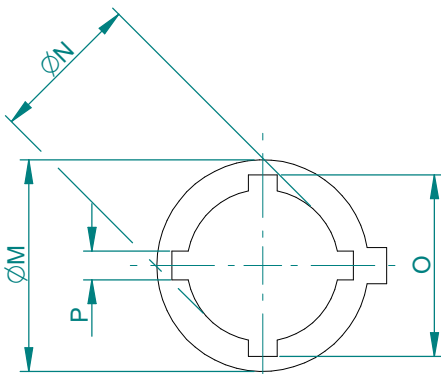
CONDUIT ENTRIES



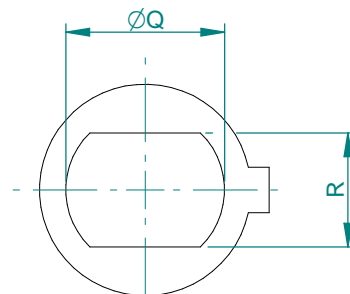
SEE TABLE FOR BORE & KEY DETAILS

SEE TABLE FOR MOUNTING DETAILS

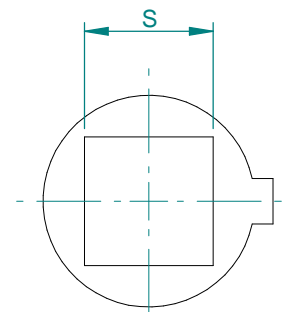
AB880M GEAR BOX MOUNTING DETAILS



KEYED STEM



FLAT HEAD STEM



SQUARE STEM 90°

DIMENSIONS MAXIMUM (INSERTS)

TYPE	ØM	ØN	O	P	ØQ	R	S
AB880M	60 (2.36)	44 (1.73)	50.6 (1.99)	12 (0.47)	48.2 (1.90)	36 (1.42)	36 (1.42)

BASEPLATE DETAILS

TYPE	BASEPLATE	HOLE DETAILS (45° OFF CENTRES)
F10	STANDARD	4x M10 x 13 DEEP ON A Ø102P.C.
FA10		4x 3/8"UNC x 0.51" DEEP ON A Ø4"P.C.
F12		4x M12 x 16 DEEP ON A Ø125P.C.
FA12		4x 1/2"UNC x 0.63" DEEP ON A 4.95"P.C.
F14		4x M16 x 18 DEEP ON A Ø140P.C.
FA14		4x 5/8"UNC x 0.71" DEEP ON A Ø5.5"P.C.
F16		4x M20 x 18 DEEP ON A Ø165P.C.
FA16		4x 3/4"UNC x 0.71" DEEP ON A 6.5"P.C.

CK range
 Drawn: TAMIL 14-11-17
 Checked: BHARAT 14-11-17
 Approved: JOSE 14-11-17

Title DIMENSIONAL DRAWING, CKC30/60 & CKRC30/60, AB880, CENTRONIK / 3 CONDUIT ENTRIES, SMALL MOTOR, STANDARD ORIENTATION.
This drawing and the information it contains are property of Rotork Controls Limited, and they will not be reproduced or disclosed, in whole or in part, without the prior written consent of Rotork.

A4 Doc Number Ver No Scale Sheet No
A4A8N0BS00X 1 NTS 2 of 2