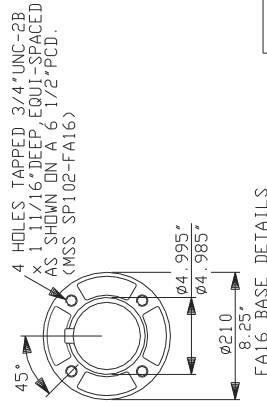
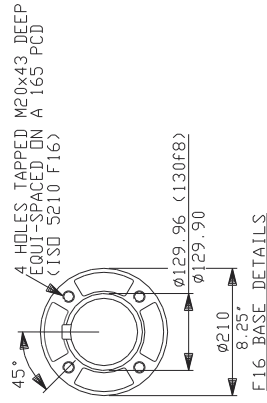
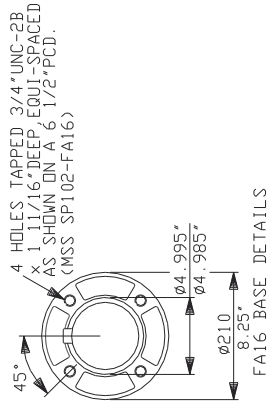
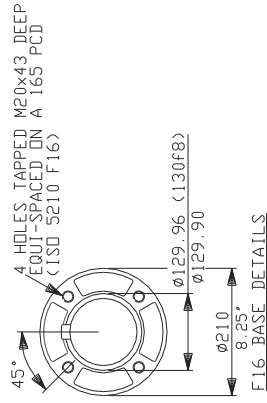
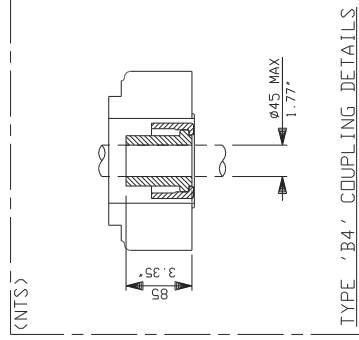
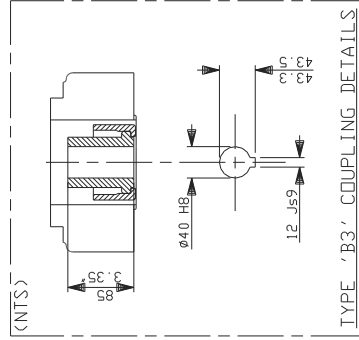
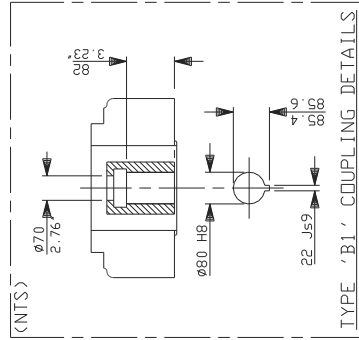
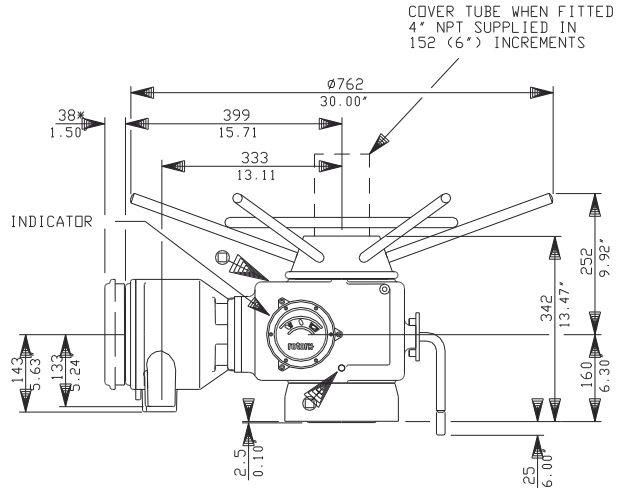
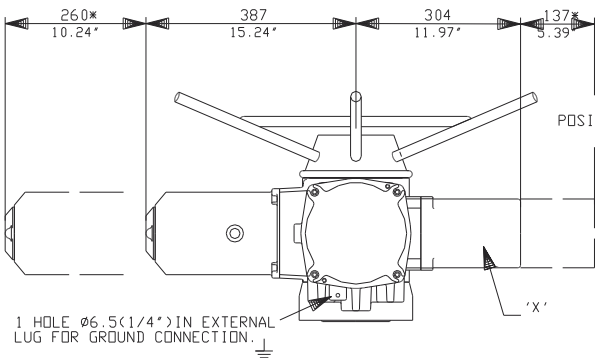
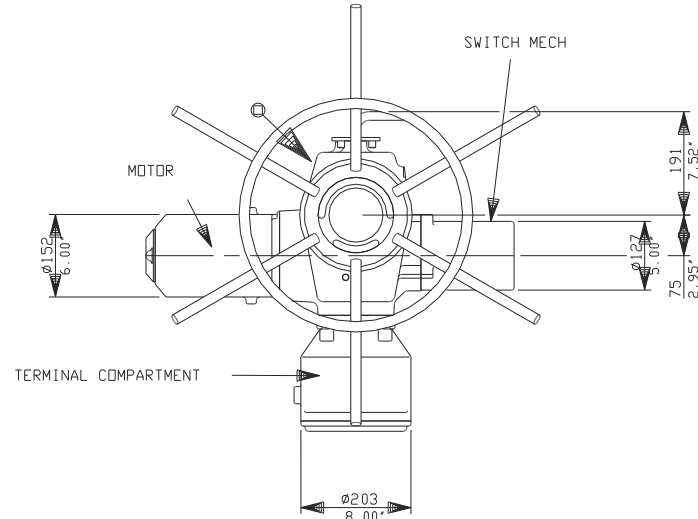


30A THRUST BASES



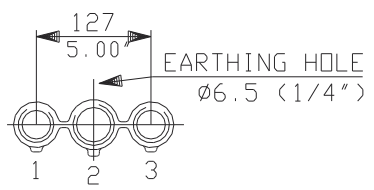
30A NON-THRUST BASES

30A SYNCROSET WITH
STANDARD HANDWHEEL

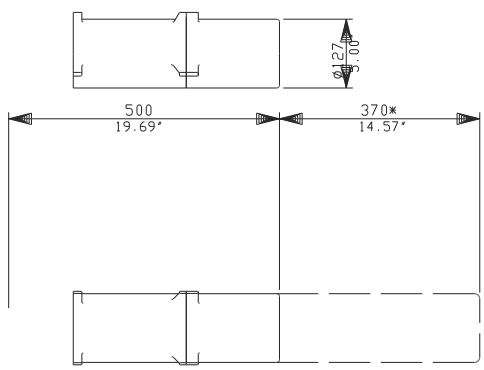


ADD-ON-PAK 1
REPLACES 'X' &
SWITCH MECH IF REQUIRED.

CONDUIT ENTRIES (N.T.S)

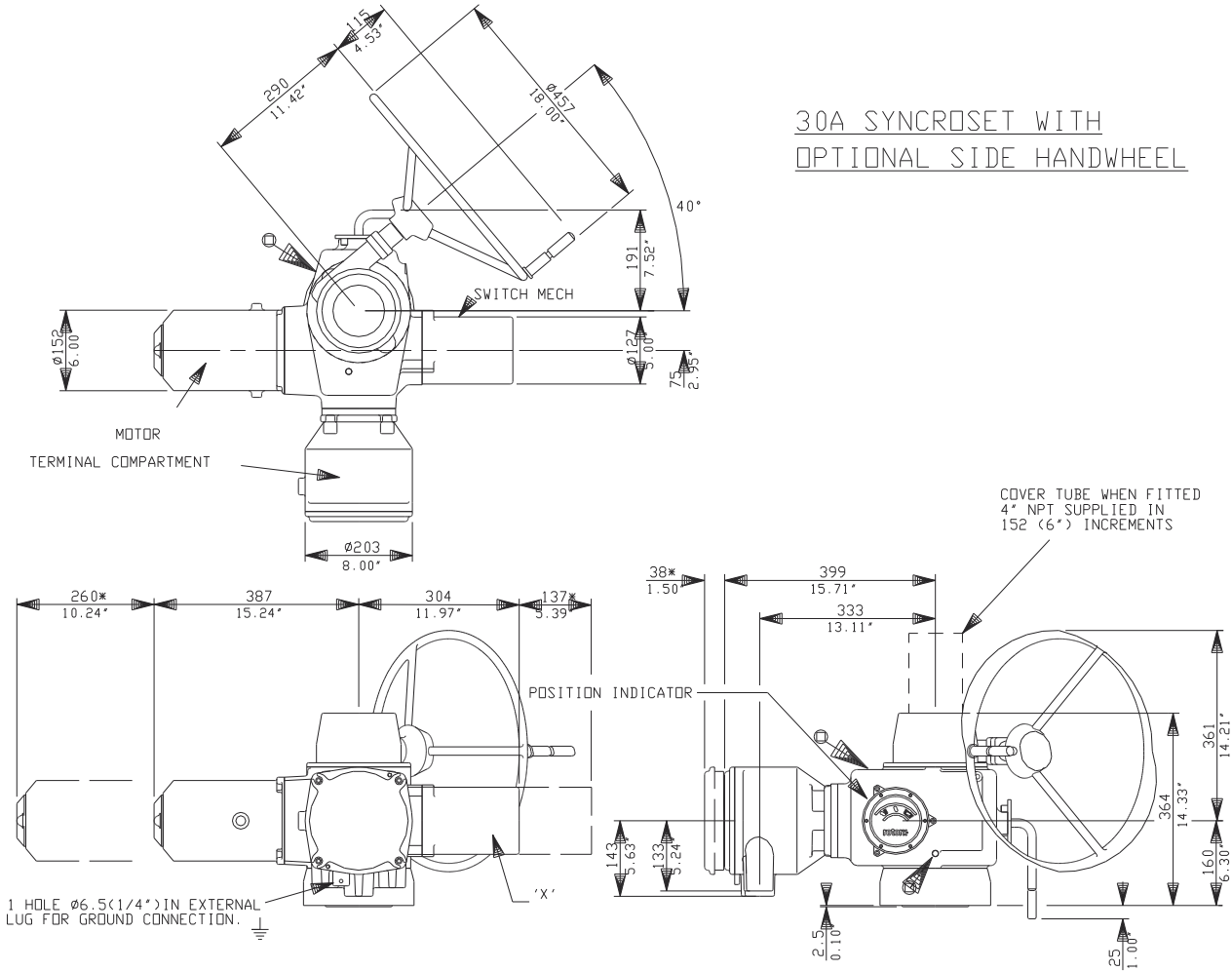


Nos.1 & 3 TAPPED 1 1/4" NPT
No.2 TAPPED 1 1/2" NPT
STANDARD ALTERNATIVES IF SPECIFIED
2 X M32, 1 X M40
2 X PG16, 1 X PG29



rotork	Rotork Controls Ltd. Bath, England BA1 3JQ Bath (01225)733200
	30A<THW> DATA
	Date 141097

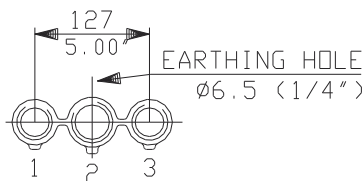
30A SYNCROSET WITH
OPTIONAL SIDE HANDWHEEL



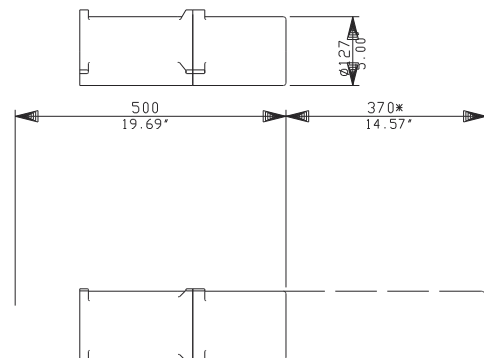
COVER TUBE WHEN FITTED
4" NPT SUPPLIED IN
152 (6") INCREMENTS

ADD-ON-PAK 1
REPLACES 'X' &
SWITCH MECH IF REQUIRED.

CONDUIT ENTRIES (N.T.S)



Nos.1 & 3 TAPPED 1 1/4" NPT
No.2 TAPPED 1 1/2" NPT
STANDARD ALTERNATIVES IF SPECIFIED
2 X M32, 1 X M40
2 X PG16, 1 X PG29



rotork	Rotork Controls Ltd. Bath, England BA1 3JD Bath (01225)733200
	30A(SHW) DATA Date 141097