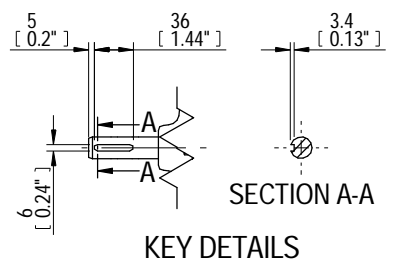
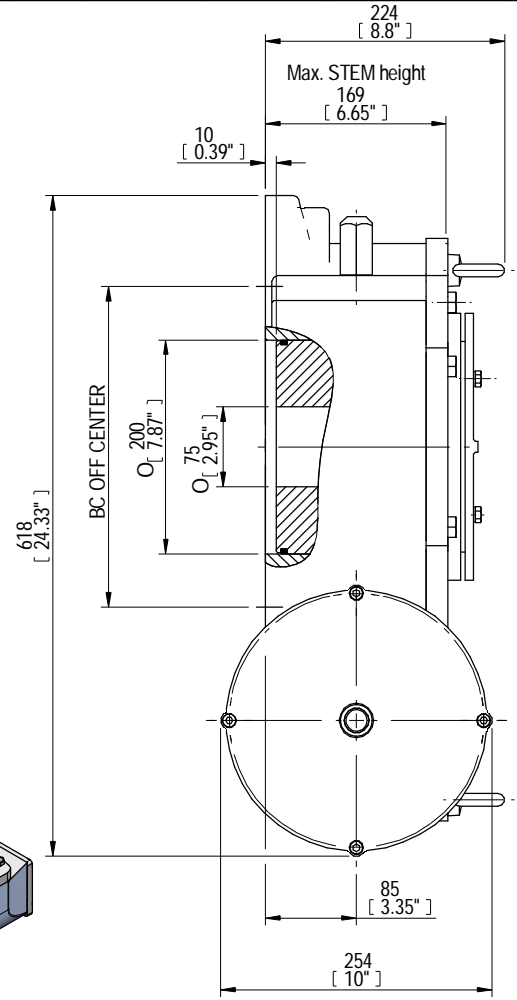
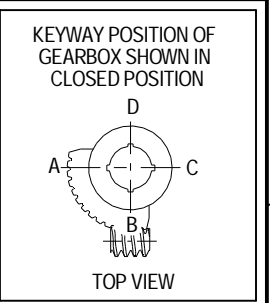
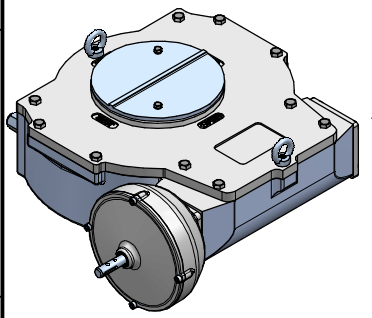
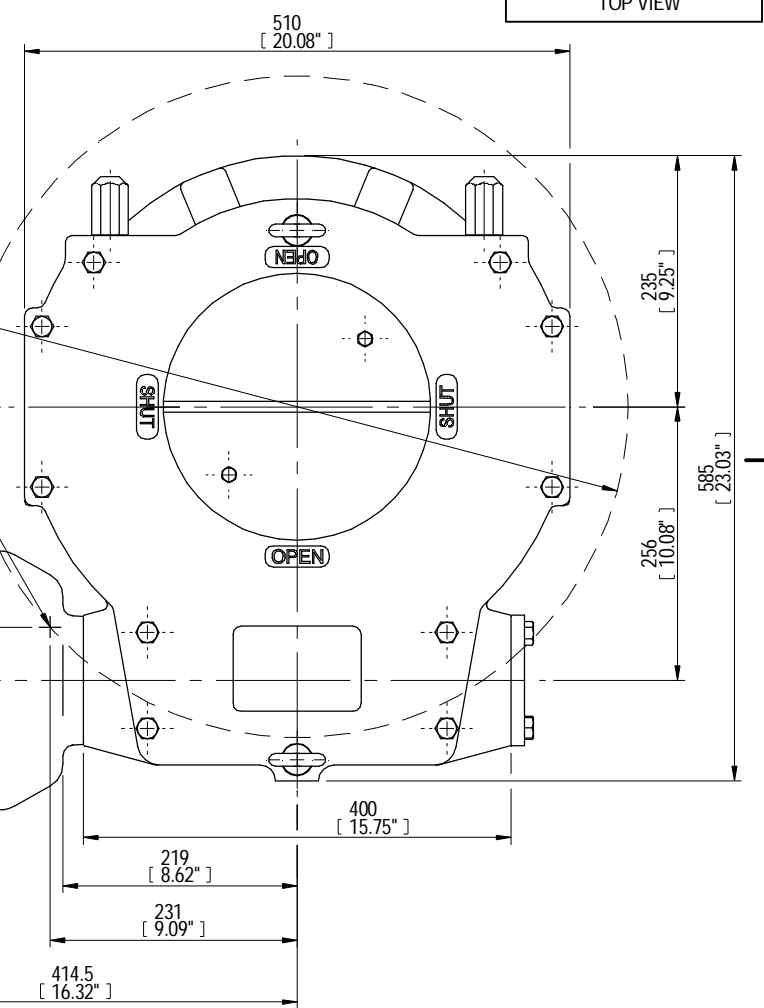
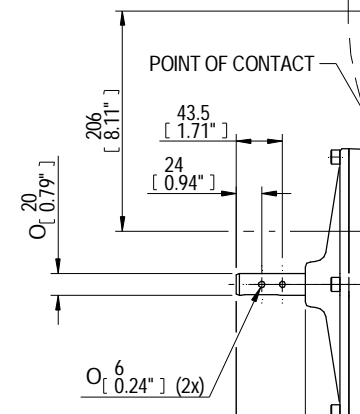


DESCRIPTION				MOUNTING HOLES - BOLT CIRCLE OFF CENTRES				BORE: STEM ACCEPTANCE WITH KEYWAY IN ACCORDING WITH STANDARD			TORQUE		
RATIO	TURNS TO CLOSE	TRAVEL (1/4 TURN)	WEIGHT	NR of HOLES	MIN ENVELOP PCD - ØHOLE	MAX ENVELOP PCD + ØHOLE	ACCORDING TO ISO 5211 / MSS SP-101	MIN	MAX	STANDARD	OUTPUT	INPUT	MA
729:1	182.25	-5° TO 95°	219.4 kg	4	N.A.	N.A.	N.A.	Ø 75 mm	Ø 160 mm	DIN 6885-1	32000 Nm	142 Nm	225.0u 15%
				8	Ø 204 mm	Ø 465mm	F25-F30-F35-F40						
			484 lbs	4	N.A.	N.A.	N.A.	Ø 2.95 inch	Ø 6.30 inch	ANSI B17.1	283224 lbf.in.	1259 lbf.in.	
				8	Ø 8.03 inch	Ø 18.31 inch	FA25-FA30-FA35-FA40						



Ø 619 [24.37"]  
MAX VALVE DIAMETER BEFORE CLASH



ISOMETRIC VIEW  
1:10

AS PART OF CONTINUOUS PRODUCT DEVELOPMENT, ALL DETAILS SUBJECT TO CHANGE WITHOUT PRIOR NOTICE. FOR UP TO DATE DETAILS PLEASE VISIT [www.rotork.com](http://www.rotork.com)

 LOSSER - THE NETHERLANDS <a href="http://www.rotork.com">www.rotork.com</a>	Document type <b>DETAIL DRAWING</b>		Title <b>A250W WITH A PR10</b> <b>PLANETARY GEARBOX-PR10</b>	
	Dimensions in mm Scale 1:5		Drawing Number <b>A250W-PR10 RH</b>	
Created	K. DANIEL	11/11/2013	Rev A	
Checked	PRABU.D	15/11/2013	Sheet 1 of 1 Size A3	
Approved				

Rev	CN	Revised	Approved	Date	Change Description
A				15/11/2013	FIRST ISSUE

Rev.01