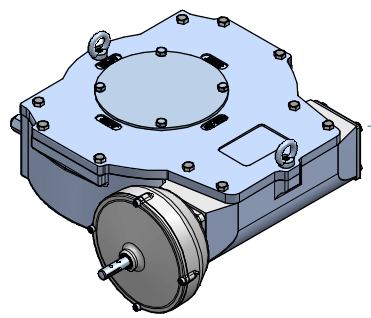
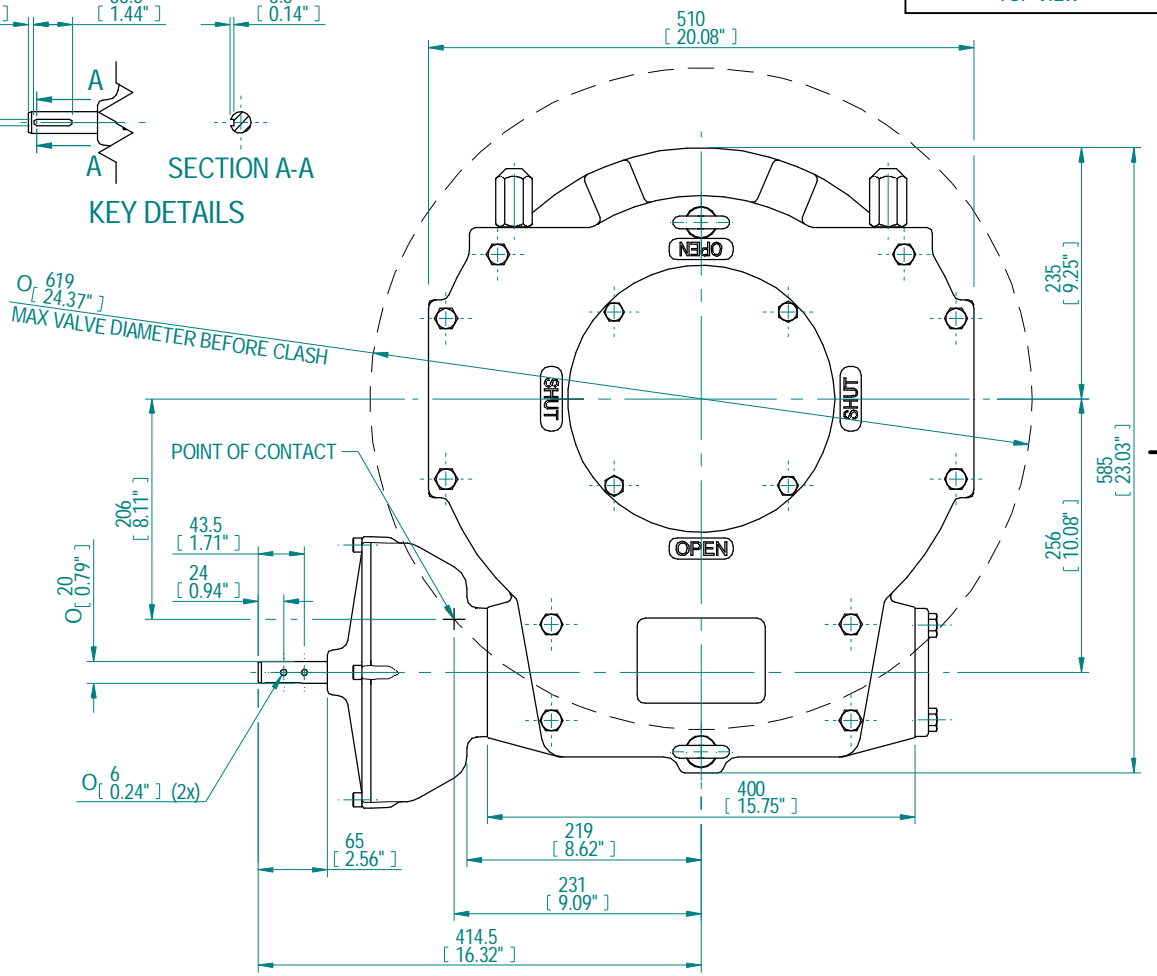
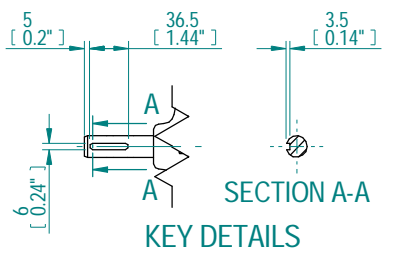
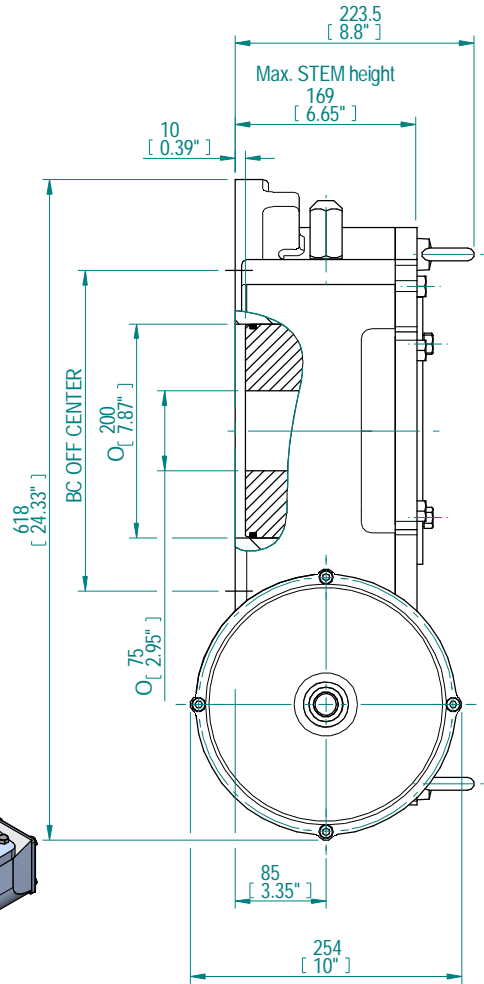
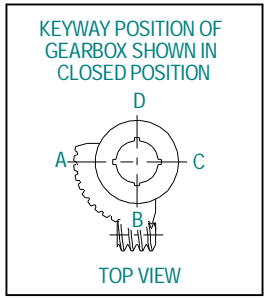


DESCRIPTION				MOUNTING HOLES - BOLT CIRCLE OFF CENTRES				BORE; STEM ACCEPTANCE WITH KEYWAY IN ACCORDING WITH STANDARD			TORQUE		
RATIO	URNS TO CLOSE	TRAVEL (1/4 TURN)	WEIGHT	NR of HOLES	MIN ENVELOP PCD - ØHOLE	MAX ENVELOP PCD + ØHOLE	ACCORDING TO ISO 5211 / MSS SP-101	MIN	MAX	STANDARD	OUTPUT	INPUT	MA
729:1	182.25	-5° TO 95°	219.4 kg	4	N.A.	N.A.	N.A.	Ø 75 mm	Ø 160 mm	DIN 6885-1	32000 Nm	142 Nm	225.0u 15%
			484 lbs	8	Ø 204 mm	Ø 465mm	F25-F30-F35-F40	Ø 2.95 inch	Ø 6.30 inch	ANSI B17.1	283224 lbf.in.	1259 lbf.in.	
				4	N.A.	N.A.	N.A.						
			8	Ø 8.03 inch	Ø 18.31 inch	FA25-FA30-FA35-FA40							



ISOMETRIC VIEW
1:10

Rev	CN	Revised	Approved	Date	Change Description
A				11/11/2013	FIRST ISSUE

AS PART OF CONTINUOUS PRODUCT DEVELOPMENT, ALL DETAILS SUBJECT TO CHANGE WITHOUT PRIOR NOTICE. FOR UP TO DATE DETAILS PLEASE VISIT www.rotork.com

rotork Gears
LOSSER - THE NETHERLANDS
www.rotork.com

This drawing is confidential and is the property of Rotork Gears and must not be reproduced either wholly or partly. All rights in respect of patents, designs and copyrights are reserved. © 2013

Document type	DETAIL DRAWING		Title	A250G WITH A PR10 BU RH PLANETARY GEARBOX-PR10
	Dimensions in mm		Scale 1:5	
Created	NTS	4-11-2013	Drawing Number	A250G-PR10 BU RH
Checked	PRABU D	11-11-2013	Rev	A
Approved			Sheet	1 of 1 Size A3

Rev.01