

DESCRIPTION:

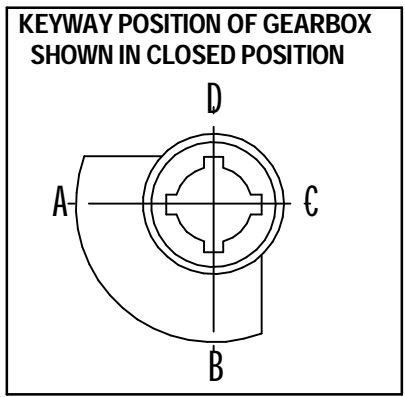
TRAVEL : -5° TO 95° adjustable
 RATIO : 729 : 1
 TURNS TO CLOSE : 182.25
 WEIGHT : 219.4kg. (482.7 lb.) Excl. handwheel

MOUNTING HOLES :

BOLT CIRCLE : min. $\varnothing 254$ [10.00]
 (OFF CENTER) max. $\varnothing 406$ [15.98]
 acc. ISO 5211 : F25-F30-F35-F40
 MIN. bore Quadrant : $\varnothing 75$ [2.95]
 MAX. bore Quadrant : $\varnothing 115$ [4.53] or $\varnothing 160$ [6.30]

TORQUE :

max. OUTPUT : 32000 Nm (283224 lbf.in.)
 max. INPUT : 142 Nm (1259 lbf.in.)
 MA : 225.0 ± 15%



DIMENSIONS IN MM[INCH]

ROTORK GEARS

GEARBOX A250G-PR10

DRAWN: Robbin Goosen CHECKED: Henk Hoff
 DWG: A250G-PR10 REV: 02