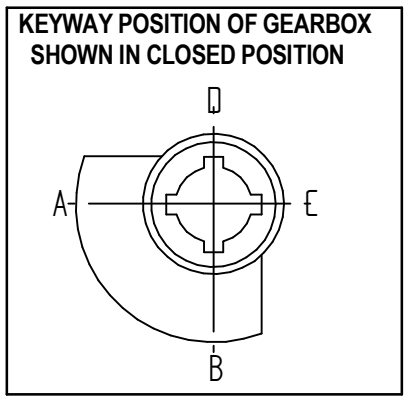


**DESCRIPTION:**  
 TRAVEL : -5° TO 95° adjustable  
 RATIO : 729 : 1  
 TURNS TO CLOSE : 182.25  
 WEIGHT : 134.4 kg. (295.7 lb.) Excl. handwheel

**MOUNTING HOLES :**  
 BOLT CIRCLE : min. Ø 254 [10.00]  
 (OFF CENTER) : max. Ø 356 [14.01]  
 acc. ISO 5211 : F25-F30-F35  
 MIN. bore Quadrant : Ø 65 [2.56]  
 MAX. bore Quadrant :  $\nabla$ 115 [4.52] or Ø 160 [6.29]

**TORQUE :**  
 max. OUTPUT : 26000 Nm (230120 lbf.in.)  
 max. INPUT : 124 Nm (1096 lbf.in.)  
 MA : 210.0 ± 15%



DIMENSIONS IN MM[INCH]

**ROTORK GEARS**

**GEARBOX A200N-PR10 + PADLOCK**

DRAWN:- Robbin Goosen CHECKED:- Henk Hoff  
 DWG:- A200N-PR10 + PADLOCK REV: 01