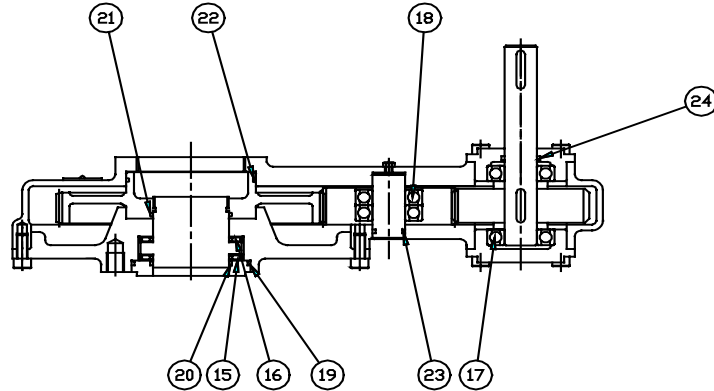


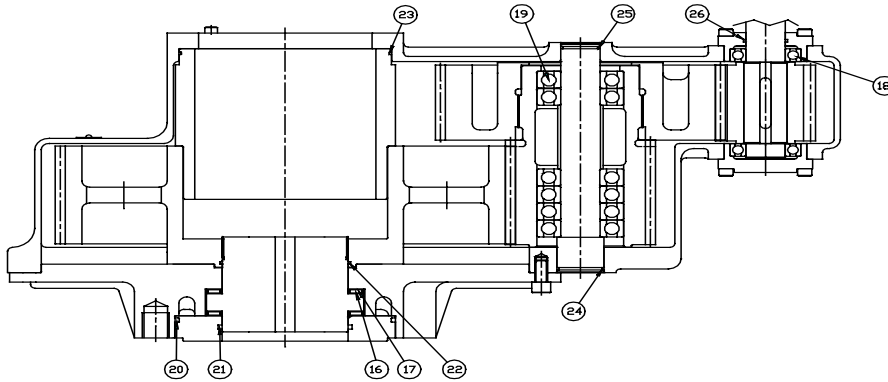
# RECOMMENDED SPARES HOLDING FOR 5 YEARS OPERATION ON IS RANGE OF SPUR GEAR ACTUATORS

## IS2 TO IS7



ITEM	DESCRIPTION	QUANTITY
(MOTORISED)	15 THRUST WASHER	4
	16 THRUST BEARING	2
	17 BALL BEARING	2 (MANUAL) OR 3
	18 BALL BEARING	2
	19 O RING	1
	20 O RING	1
	21 O RING	1
	22 O RING	1
	23 O RING	1
	24 O RING	1

## IS8 TO IS20



ITEM	DESCRIPTION	QUANTITY
16	THRUST WASHER	4
17	THRUST BEARING	2
18	BALL BEARING	2 (MANUAL) OR 3 (MOTORISED)
19	BALL BEARING	3 (IS8 – 11), 4 (IS12 – 16) OR (IS17 –
20	O RING	1
21	O RING	1
22	O RING	1
23	O RING	1
24	O RING	1
25	O RING	1
26	O RING	1