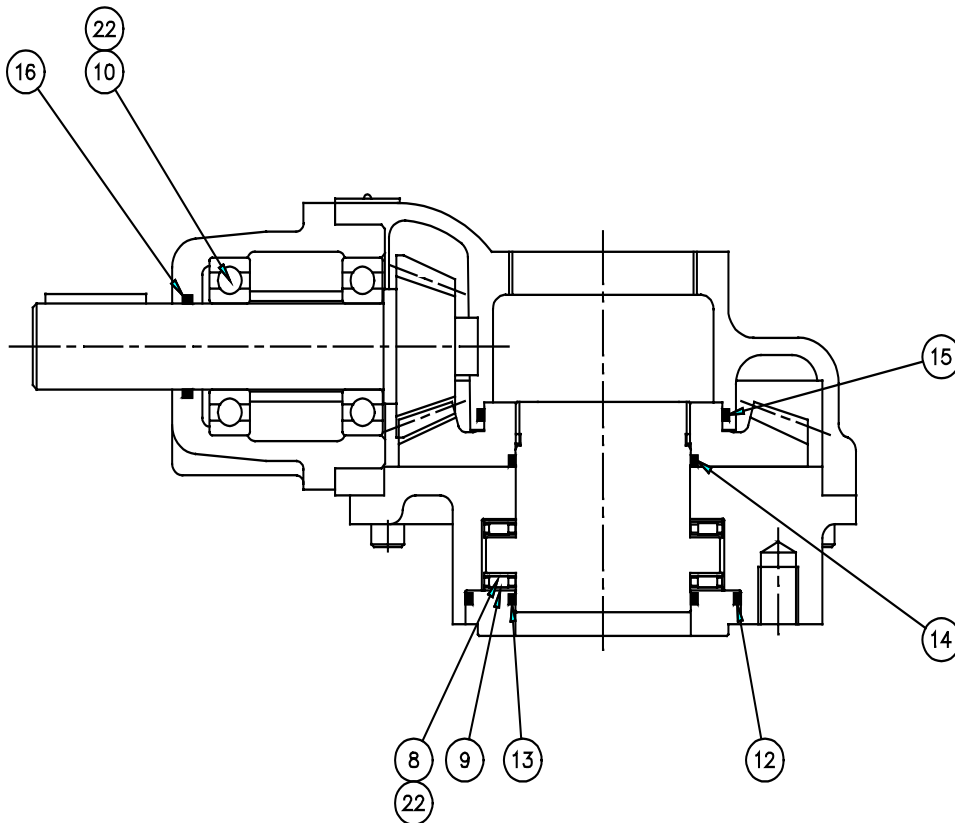


## RECOMMENDED SPARES HOLDING FOR 5 YEARS OPERATION ON IB RANGE OF BEVEL GEAR ACTUATORS



POSITION	DESCRIPTION	QUANTITY
8	THRUST BEARING	2
9	THRUST WASHER	4
10	BALL BEARING	2
12	'O' RING	1
13	'O' RING	1
14	'O' RING	1
15	'O' RING	1
16	'O' RING	1
22	GREASE	
23	SILICONE SEALANT	