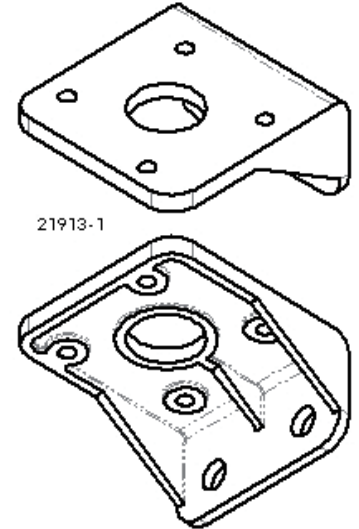




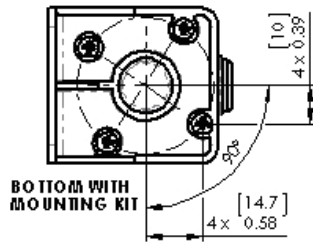
Features

- Compact size
- Lightweight unit
- Handles high supply pressure
- High accuracy for precision control
- Polymer construction for corrosive resistance
- Venturi design compensates downstream pressure droop under flowing conditions
- Non-rising adjustment knob
- Manifold mount capability
- Separate control chamber isolates the Diaphragm from the main flow to eliminate hunting and buzzing



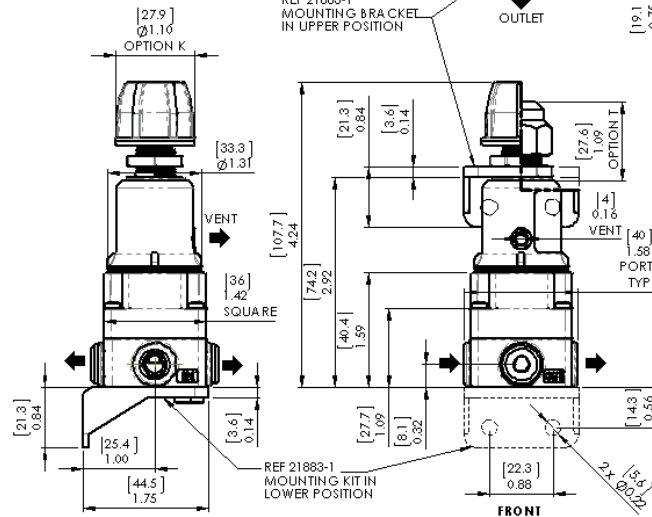
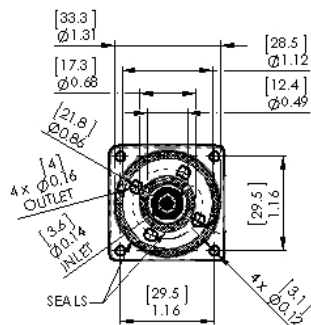
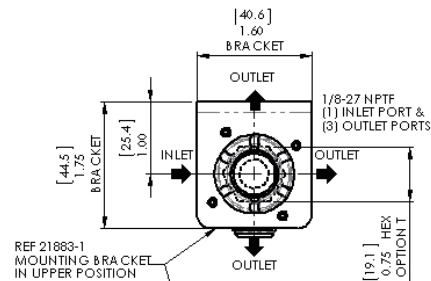
Operating Principles

When the setpoint is reached, the upward force of the output pressure that acts on the bottom of the Diaphragm balances with the downward force that acts on the top of the Diaphragm. If the output pressure rises above the setpoint, the force that acts on the bottom of the Diaphragm moves the Diaphragm Assembly upward to close the Supply Valve and open the Relief Valve. Excess output pressure exhausts through the Vent in the unit until it reaches the setpoint.

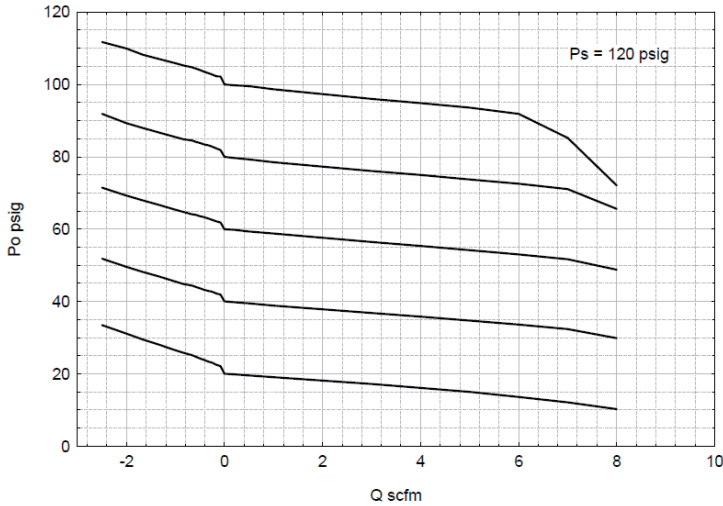


BOTTOM WITH MOUNTING KIT

**1/8" PORTS OPTION 1
NPTF OR BSPT THREAD**



Model 55151 NNNRNN



Specifications

Flow Capacity

9 SCFM (17.0 m³/HR) @ 120 psig, [8 BAR], (800 kPa) supply

Exhaust Capacity

2 SCFM (3.4 m³/HR) where downstream pressure is 15 psig, [1.0 BAR], (100 kPa) above set point

Maximum Supply Pressure

150 psig, [10 BAR], (1000 kPa)

Supply Pressure Effect

0.1 psig for 10 psig change in supply

Ambient Temperature

-40°F to +150°F, (-40°C to 65.5°C)

Materials of Construction

Body and Housing.....Valox 508

Valve.....Stainless Steel

Diaphragm.....Polymer Reinforced Nitrile

Mounting Bracket.....Valox 508

Ordering Information

Catalog Number 551

Pressure Ranges:

0-10 psi

2

0.5-30 psi

3

1-60 psi.....

4

2-100 psi.....

5

Inlet/Outlet Port Size:

Manifold Mount.....

0

1/8"

1

Port Thread:

NPTF

N

Elastomer

Nitrile

N

Actuator

Knob

K

Tamper Proof

T

Relief

Relieving, Normal Bleed

R

Non Relieving

N

Relieving, Low Bleed

B

Gauge

Gauge

G

Without Gauge

N

Mounting Bracket

Mounting Bracket

B

Without Mounting Bracket

N

Installation

For installations instructions, refer to the Fairchild Model 55 Miniature Precision Regulator Instruction, Operation and Maintenance Instructions, IS-10000055.