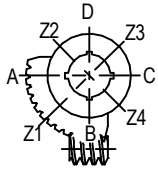


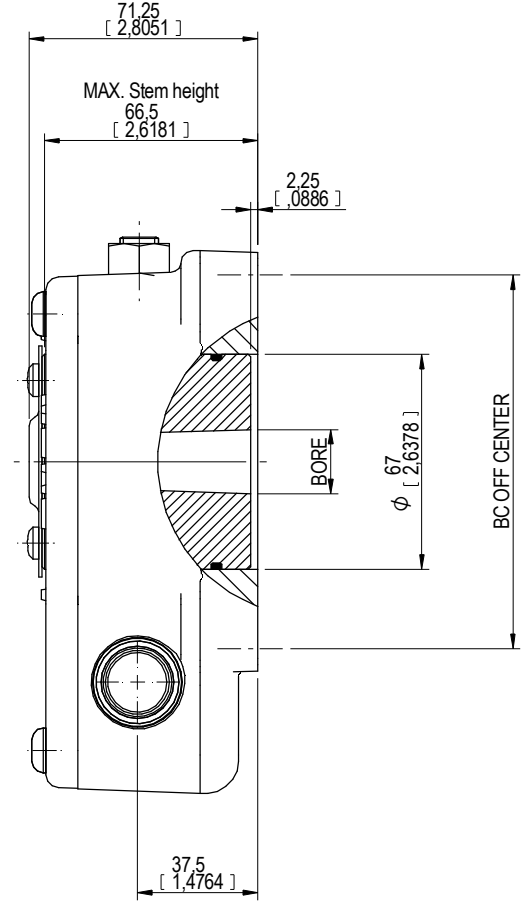
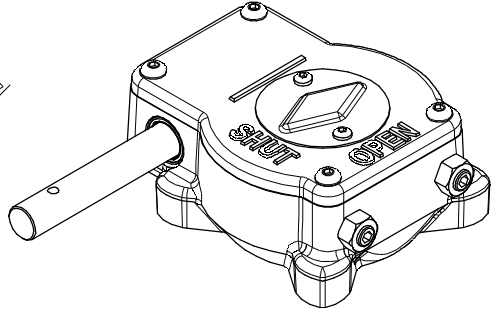
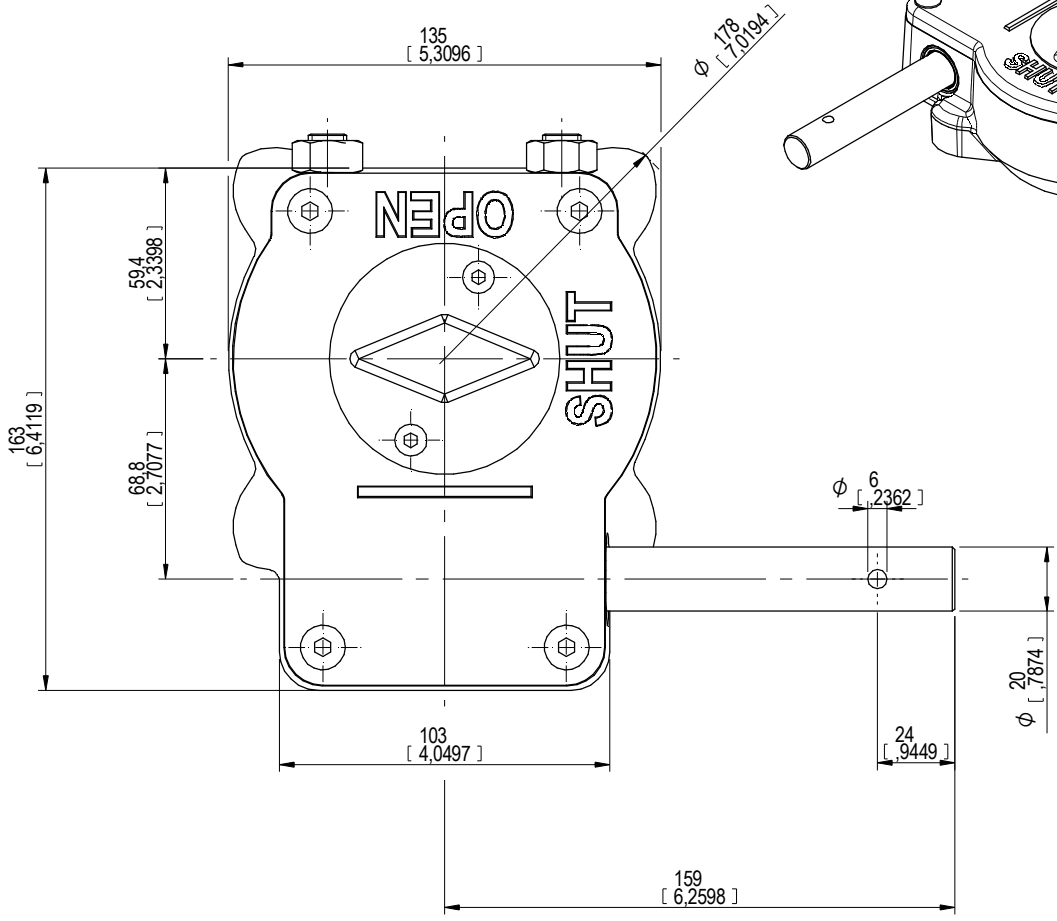
KEYWAY POSITION OF GEARBOX SHOWN IN CLOSED POSITION



TOP VIEW

DESCRIPTION				MOUNTING HOLES - BOLT CIRCLE (OFF CENTRES)			BORE: STEM ACCEPTANCE WITH KEYWAY IN ACCORDING WITH STANDARD			TORQUE			
RATIO	TURNS TO CLOSE	TRAVEL (1/4 TURN)	WEIGHT	NR of HOLES	MIN ENVELOPE PCD - ØHOLE	MAX ENVELOPE PCD + ØHOLE	ACCORDING TO ISO 5211 / MSS SP-101	MIN	MAX	STANDARD	OUTPUT	INPUT	MA
40:1	10	-5° TO 95°	5.9 kg	4	Ø102 mm	Ø140 mm	F10 - F12 - F14	Ø20 mm	Ø47 mm □40 mm	ISO 773 A	1200 Nm	120 Nm	10 ± 10%
				8	-	-	-	-	-	-	-	-	
			13 lbs	4	Ø4.02 inch	Ø5.51 inch	FA10 - FA12 - FA14	Ø0.79 inch	Ø1.85 inch □1.57 inch	ANSI B17.1	10620 lbf.in	1062 lbf.in	
				8	-	-	-	-	-	-	-	-	

AS PART OF CONTINUOUS PRODUCT DEVELOPMENT, ALL DETAILS SUBJECT TO CHANGE WITHOUT PRIOR NOTICE. FOR UP TO DATE DETAILS PLEASE VISIT www.rotork.com



Rev	CN	Revised	Approved	DD-MM-YYYY	First Issue
00					FIRST ISSUE
Rev	CN	Revised	Approved	Date	Change Description

rotork
Gears
LOSSER - THE NETHERLANDS
www.rotork.com

This drawing is confidential and is the property of Rotork Gears and must not be reproduced either wholly or partly. All rights in respect of patents, designs and copyrights are reserved. © 2013

Document type	DETAIL DRAWINGS		Title	242-40M LEFT HANDED	
			Dimensions in mm [inch]		
			Scale	1:1.67	
Created	Robbin.Goosen	16-5-2013	Drawing Number	242-40M LH	
Checked	Henk Hoff	16-5-2013	Rev	00	
Approved	Henk Hoff	16-5-2013	Sheet	1 of 1	Size A3

Rev.01