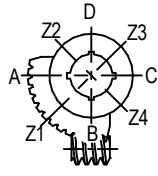


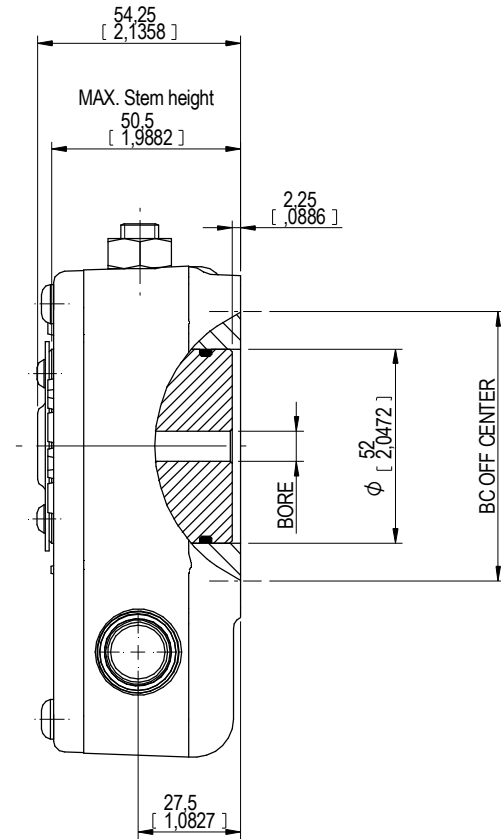
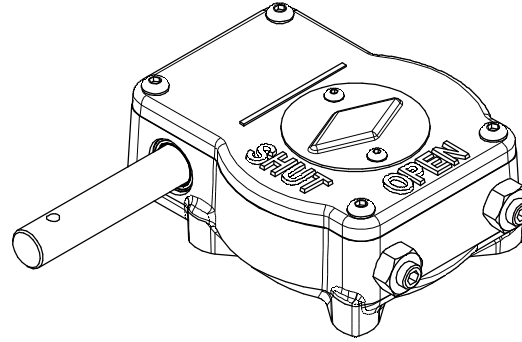
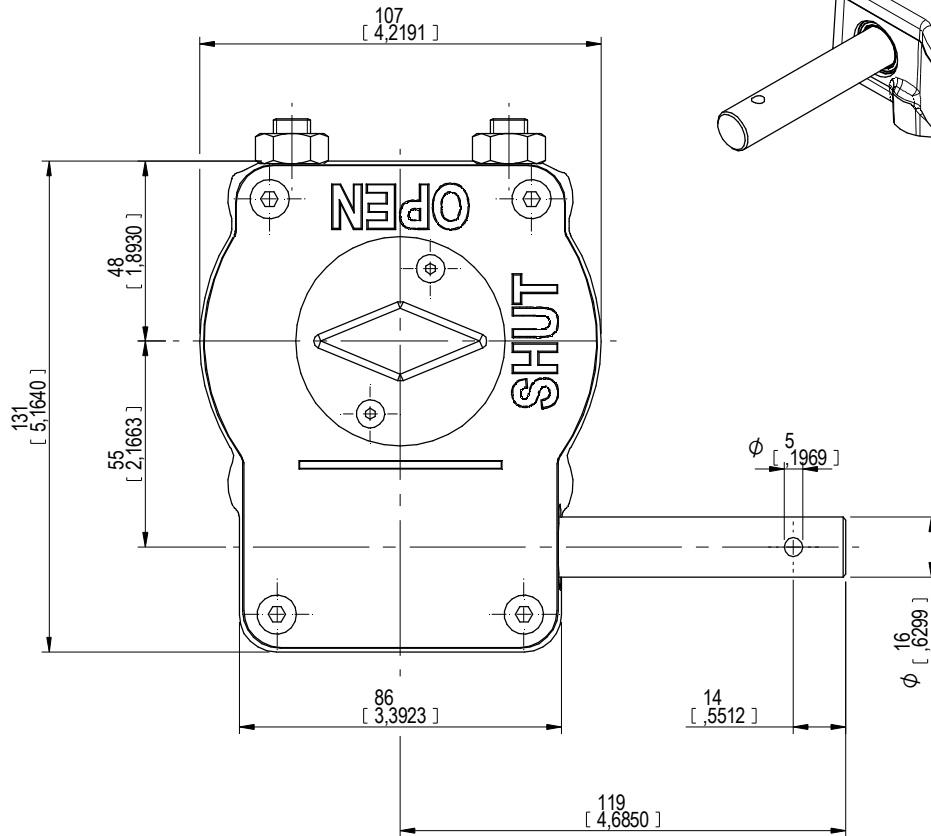
KEYWAY POSITION OF GEARBOX SHOWN IN CLOSED POSITION



TOP VIEW

RATIO	DESCRIPTION		MOUNTING HOLES - BOLT CIRCLE (OFF CENTRES)				BORE: STEM ACCEPTANCE WITH KEYWAY IN ACCORDING WITH STANDARD			TORQUE			
	URNS TO CLOSE	TRAVEL (1/4 TURN)	WEIGHT	NR of HOLES	MIN ENVELOPE PCD - ØHOLE	MAX ENVELOPE PCD + ØHOLE	ACCORDING TO ISO 5211 / MSS SP-101	MIN	MAX	STANDARD	OUTPUT	INPUT	MA
40:1	10	-5° TO 95°	3.4 kg	4	Ø70 mm	Ø102 mm	F07 - F10	Ø8 mm	Ø36 mm □31 mm	ISO 773 A	650 Nm	65 Nm	10 ± 10%
			7.48 lbs	8	-	-	-	-	-	-	-	-	
				4	Ø2.76 inch	Ø4.02 inch	FA07 - FA10	Ø0.31 inch	Ø1.42 inch □1.22 inch	ANSI B17.1	5752.5 lbf.in	575.25 lbf.in	
				8	-	-	-	-	-	-	-	-	

AS PART OF CONTINUOUS PRODUCT DEVELOPMENT, ALL DETAILS SUBJECT TO CHANGE WITHOUT PRIOR NOTICE. FOR UP TO DATE DETAILS PLEASE VISIT www.rotork.com



 LOSSER - THE NETHERLANDS www.rotork.com	Document type DETAIL DRAWINGS		Title 242-30S LEFT HANDED	
	Dimensions in mm [inch] Scale 1:1.43		Drawing Number 242-30S LH	
Created	Robbin.Goosen	7-5-2013	Rev 00	
Checked	Henk Hoff	7-5-2013		
Approved	Henk Hoff	7-5-2013	Sheet 1 of 1 Size A3	

Rev.01

Rev	CN	Revised	Approved	DD-MM-YYYY	FIRST ISSUE
00					
Rev	CN	Revised	Approved	Date	Change Description