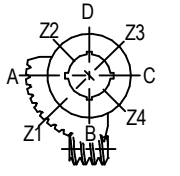
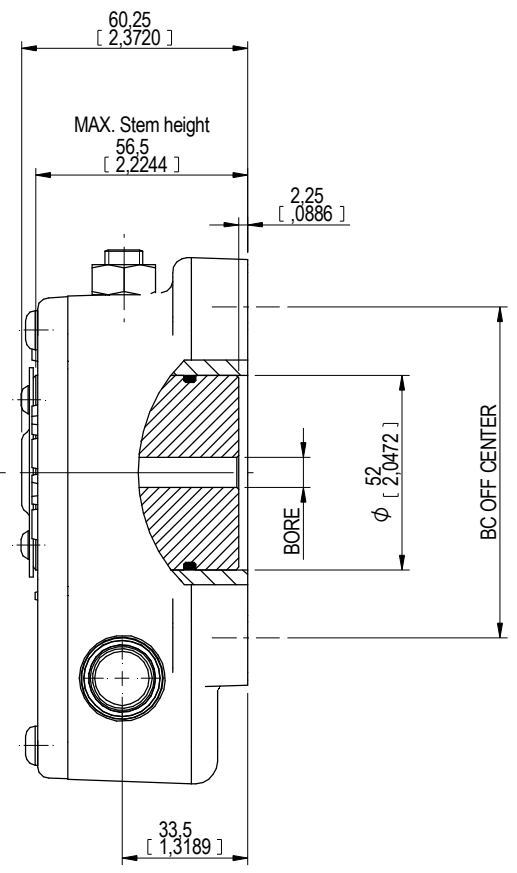
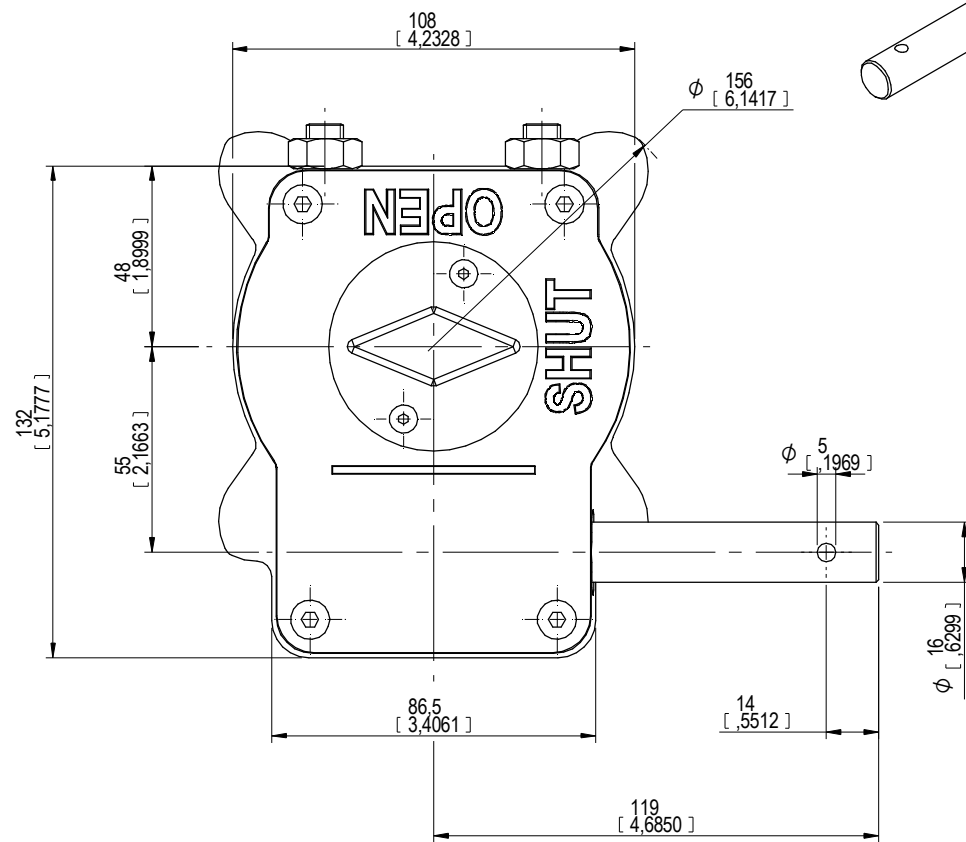
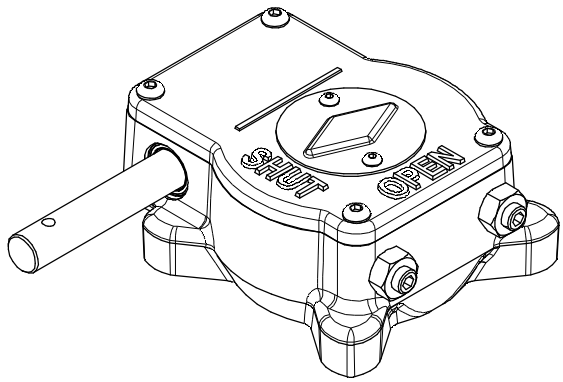


KEYWAY POSITION OF GEARBOX SHOWN IN CLOSED POSITION



DESCRIPTION				MOUNTING HOLES - BOLT CIRCLE (OFF CENTRES)			BORE: STEM ACCEPTANCE WITH KEYWAY IN ACCORDING WITH STANDARD			TORQUE			
RATIO	TURNS TO CLOSE	TRAVEL (1/4 TURN)	WEIGHT	NR of HOLES	MIN ENVELOPE PCD - ØHOLE	MAX ENVELOPE PCD + ØHOLE	ACCORDING TO ISO 5211 / MSS SP-101	MIN	MAX	STANDARD	OUTPUT	INPUT	MA
40:1	10	-5° TO 95°	3.9 kg	4	Ø70 mm	Ø125 mm	F07 - F10 - F12	Ø8 mm	Ø36 mm □31 mm	ISO 773 A	650 Nm	65 Nm	10 ± 10%
				8	-	-	-	-	-	-	-	-	
			8.58 lbs	4	Ø2.76 inch	Ø4.92 inch	FA07 - FA10 - FA12	Ø0.31 inch	Ø1.42 inch □1.22 inch	ANSI B17.1	5752.5 lbf.in	575.25 lbf.in	
				8	-	-	-	-	-	-	-	-	

AS PART OF CONTINUOUS PRODUCT DEVELOPMENT, ALL DETAILS SUBJECT TO CHANGE WITHOUT PRIOR NOTICE. FOR UP TO DATE DETAILS PLEASE VISIT www.rotork.com



rotork
Gears
LOSSER - THE NETHERLANDS
www.rotork.com

This drawing is confidential and is the property of Rotork Gears and must not be reproduced either wholly or partly. All rights in respect of patents, designs and copyrights are reserved. © 2013

Document type	DETAIL DRAWINGS		Title	242-30M LEFT HANDED	
	Dimensions in mm [inch]				
	Scale 1:1.43				
Created	Robbin.Goosen	7-5-2013	Drawing Number	Rev 00	
Checked	Henk Hoff	7-5-2013	242-30M LH		
Approved	Henk Hoff	7-5-2013	Sheet 1 of 1	Size A3	

Rev.01

00				DD-MM-YYYY	FIRST ISSUE
Rev	CN	Revised	Approved	Date	Change Description