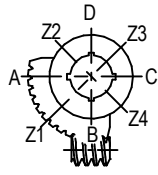


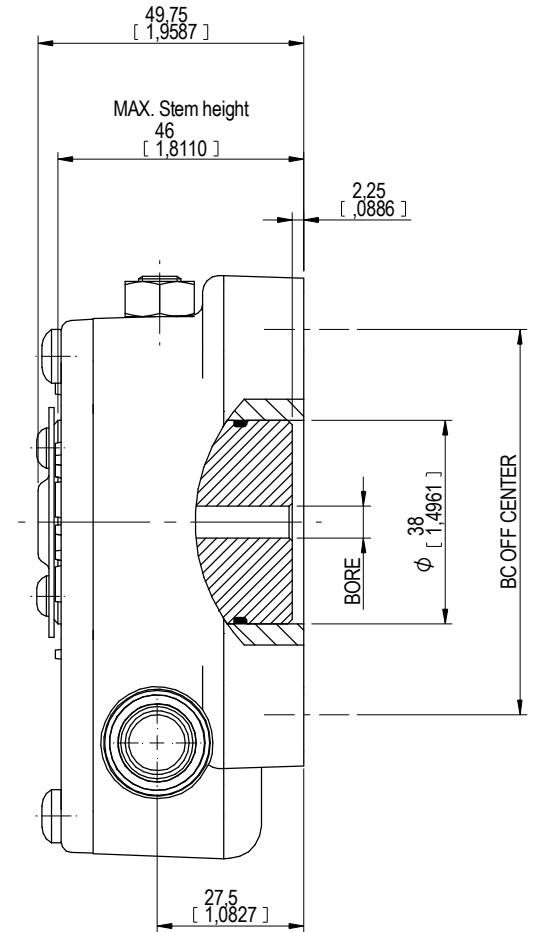
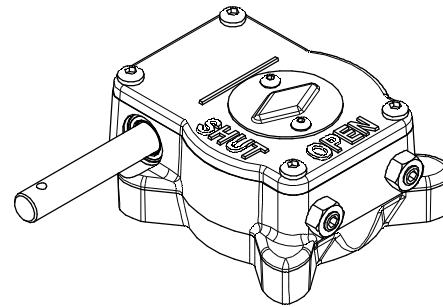
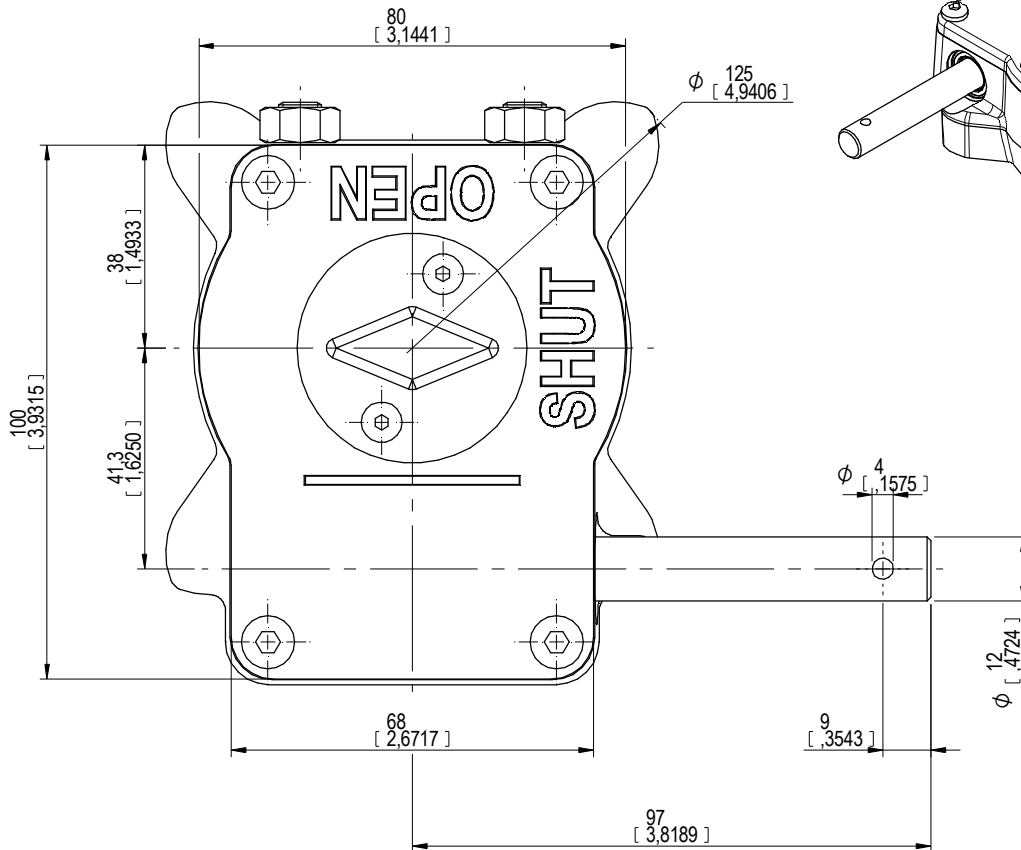
KEYWAY POSITION OF GEARBOX SHOWN IN CLOSED POSITION



TOP VIEW

DESCRIPTION				MOUNTING HOLES - BOLT CIRCLE (OFF CENTRES)			BORE: STEM ACCEPTANCE WITH KEYWAY IN ACCORDING WITH STANDARD			TORQUE			
RATIO	TURNS TO CLOSE	TRAVEL (1/4 TURN)	WEIGHT	NR of HOLES	MIN ENVELOPE PCD - ØHOLE	MAX ENVELOPE PCD + ØHOLE	ACCORDING TO ISO 5211 / MSS SP-101	MIN	MAX	STANDARD	OUTPUT	INPUT	MA
40:1	10	-5° TO 95°	1.9 kg	4	Ø70 mm	Ø102 mm	F07 - F10	Ø6 mm	Ø24 mm □22 mm	ISO 773 A	300 Nm	30 Nm	10 ± 10%
				8	-	-	-	-	-	-	-	-	
			4.18 lbs	4	Ø2.76 inch	Ø4.02 inch	FA07 - FA10	Ø0.24 inch	Ø0.94 inch □0.87 inch	ANSI B17.1	2655 lbf.in	265.5 lbf.in	
				8	-	-	-	-	-	-	-	-	

AS PART OF CONTINUOUS PRODUCT DEVELOPMENT, ALL DETAILS SUBJECT TO CHANGE WITHOUT PRIOR NOTICE. FOR UP TO DATE DETAILS PLEASE VISIT www.rotork.com



Rev	CN	Revised	Approved	DD-MM-YYYY	First Issue	Date	Change Description
00					FIRST ISSUE		

<p>LOSSER - THE NETHERLANDS</p> <p>www.rotork.com</p>	Document type DETAIL DRAWINGS		Title 242-20M LEFT HANDED	
	Dimensions in mm [inch]		Scale 1:1	
Created	Robbin.Goesen	7-5-2013	Drawing Number	
Checked	Henk Hoff	7-5-2013	242-20M LH	
Approved	Henk Hoff	7-5-2013	Sheet 1 of 1	Size A3
			Rev	00

Rev.01