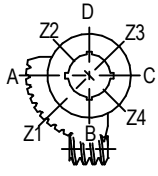


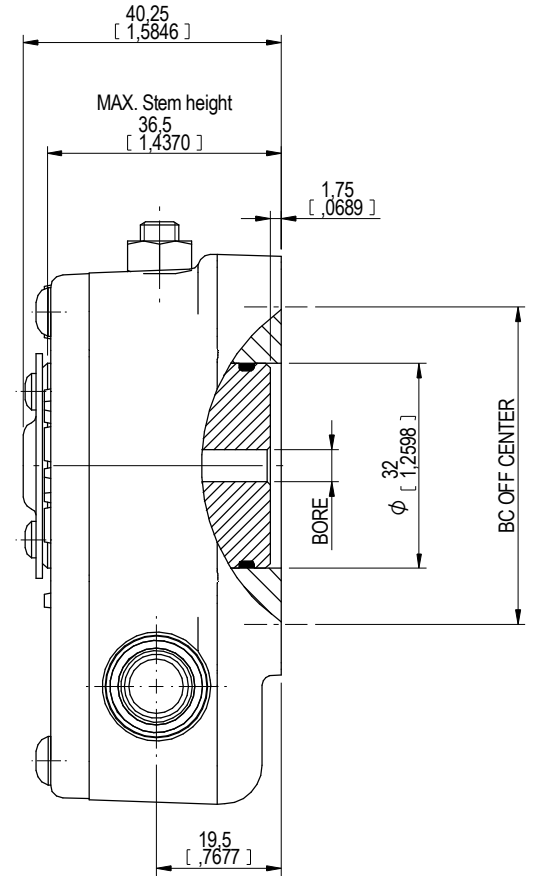
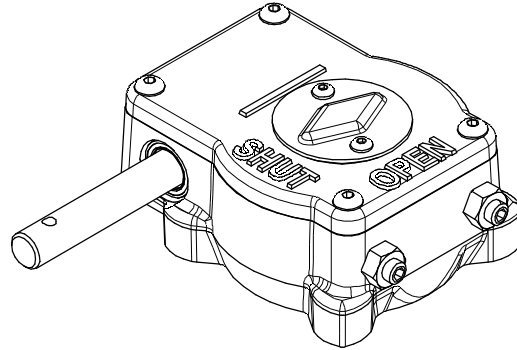
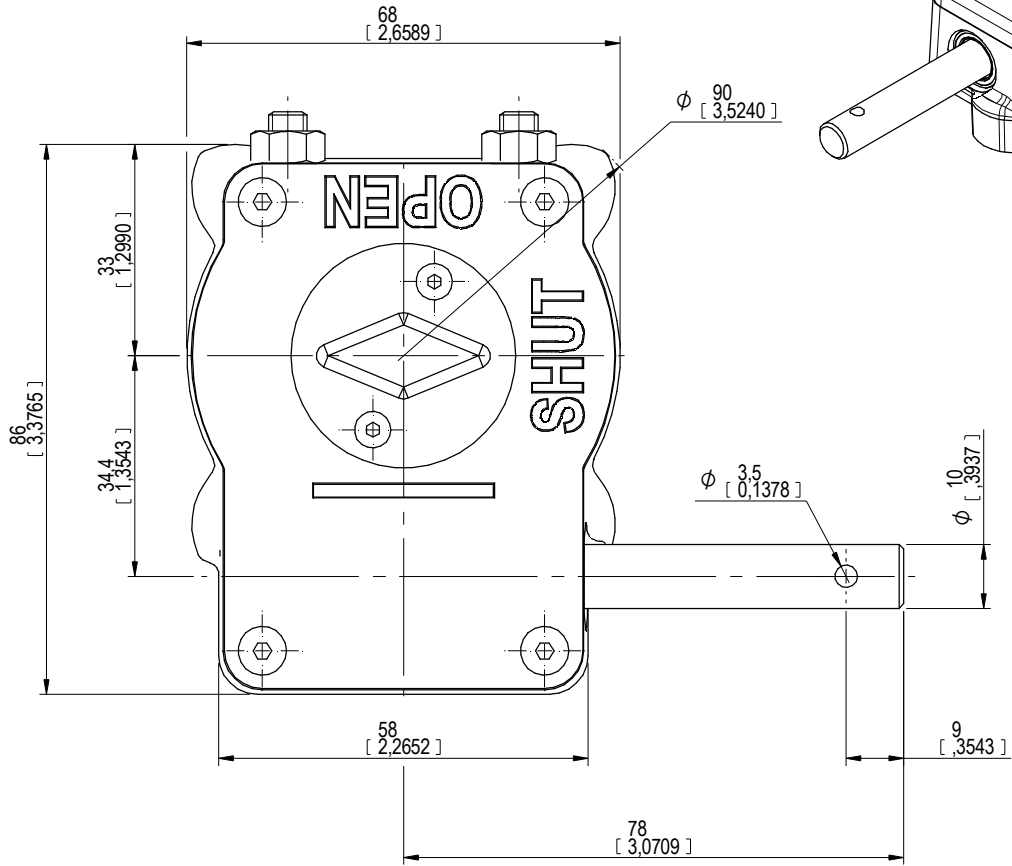
KEYWAY POSITION OF GEARBOX SHOWN IN CLOSED POSITION



TOP VIEW

DESCRIPTION				MOUNTING HOLES - BOLT CIRCLE (OFF CENTRES)			BORE: STEM ACCEPTANCE WITH KEYWAY IN ACCORDING WITH STANDARD			TORQUE			
RATIO	TURNS TO CLOSE	TRAVEL (1/4 TURN)	WEIGHT	NR of HOLES	MIN ENVELOPE PCD - ØHOLE	MAX ENVELOPE PCD + ØHOLE	ACCORDING TO ISO 5211 / MSS SP-101	MIN	MAX	STANDARD	OUTPUT	INPUT	MA
40:1	10	-5° TO 95°	1 kg	4	Ø50 mm	Ø70 mm	F05 - F07	Ø5 mm	Ø20 mm □19 mm	ISO 773 A	150 Nm	15 Nm	10 ± 10%
				8	-	-	-	-	-	-	-	-	
			2.2 lbs	4	Ø1.97 inch	Ø2.76 inch	FA05 - FA07	Ø0.2 inch	Ø0.79 inch □0.75 inch	ANSI B17.1	1327.5 lbf.in	132.75 lbf.in	
				8	-	-	-	-	-	-	-	-	

AS PART OF CONTINUOUS PRODUCT DEVELOPMENT, ALL DETAILS SUBJECT TO CHANGE WITHOUT PRIOR NOTICE. FOR UP TO DATE DETAILS PLEASE VISIT [www.rotork.com](http://www.rotork.com)



Rev.01

Rev	CN	Revised	Approved	DD-MM-YYYY	First Issue
00					FIRST ISSUE
Rev	CN	Revised	Approved	Date	Change Description

**rotork**  
Gears  
LOSSER - THE NETHERLANDS  
[www.rotork.com](http://www.rotork.com)

This drawing is confidential and is the property of Rotork Gears and must not be reproduced either wholly or partly. All rights in respect of patents, designs and copyrights are reserved. © 2013

Document type	<b>DETAIL DRAWINGS</b>		Title	<b>242-10 SIZE M LEFT HANDED</b>	
			Dimensions in mm [inch]		
			Scale	1.2:1	
Created	Robbin.Goosen	7-5-2013	Drawing Number	<b>242-10M LH</b>	
Checked	Henk Hoff	7-5-2013	Rev	00	
Approved	Henk Hoff	7-5-2013	Sheet	1 of 1	Size A3